

**CONVERSE<sup>®</sup>**

**Model**

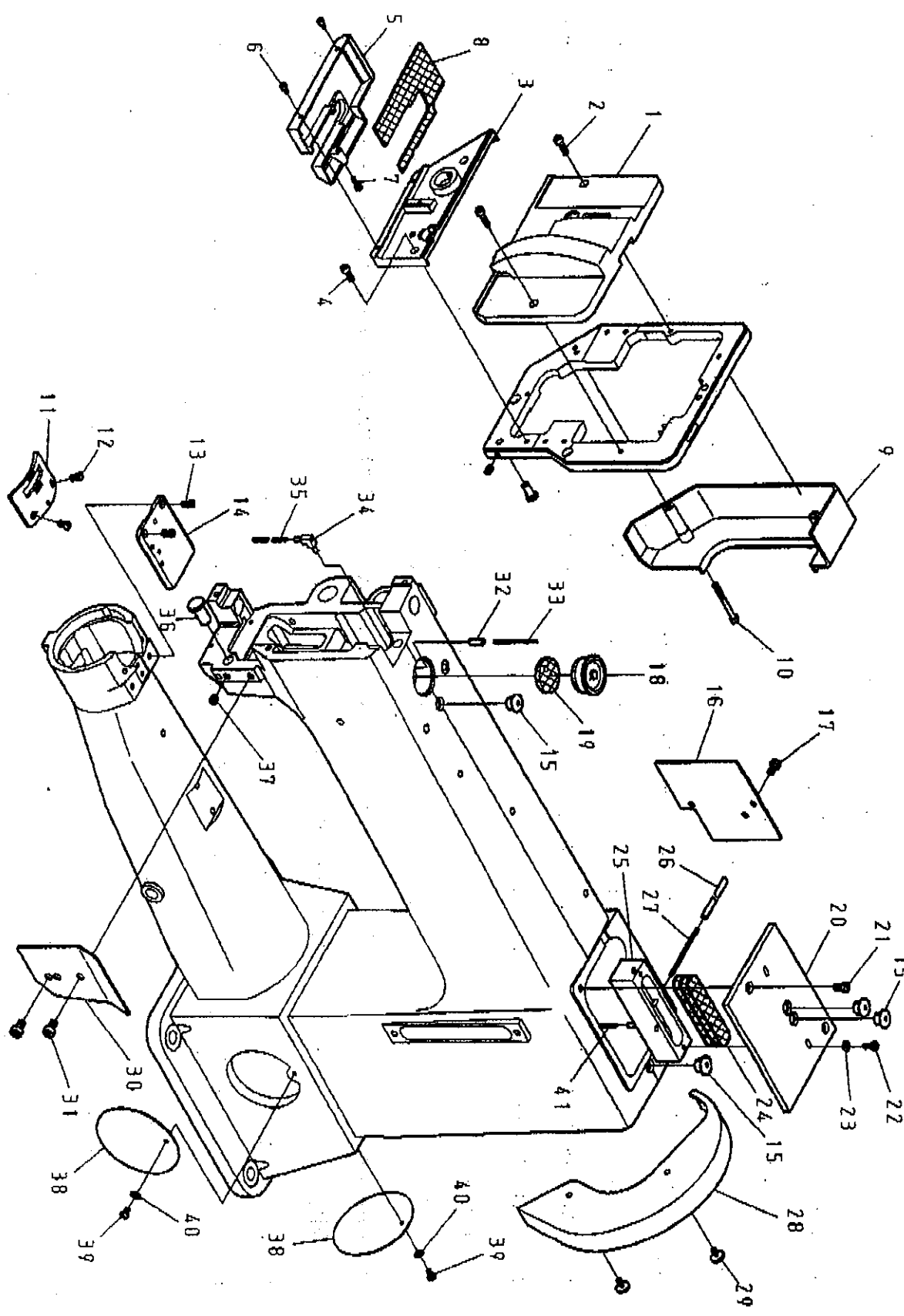
**2050**

**INSTRUCTION MANUAL**

MODEL : 2050

目次	CONTENT	PAGE
A. 本體關係	FRAME & MISCELLANEOUS COVER COMPONENTS	2-3
B. 上軸關係	MAIN SHAFT COMPONENTS	4-5
C. 針棒-天秤關係	NEEDLE BAR & THREAD TAKE-UP LEVER COMPONENTS	6-7
D. 針棒搖擺關係	NEEDLE BAR ROCKING MOTION MECHANISM COMPONENTS	8-9
E. 上部送料關係	UPPER FEED MECHANISM COMPONENTS	10-11
F. 押腳・脚弓關係	PRESSURE BAR & KNEE LIFTER COMPONENTS	12-15
G. 下部送料關係	LOWER FEED MECHANISM COMPONENTS	16-17
H. 縫目調整關係	FEED ADJUSTMENT MECHANISM COMPONENTS	18-19
I. 下軸關係	HOOK DRIVE SHAFT COMPONENTS	20-23
J. 縫線壓力調節關係	UPPER THREAD TENSION REGULATOR MECHANISM COMPONENTS	24-25
K. 附件	ACCESSORIES	26-27
L. 皮帶蓋關係	BELT COVER COMPONENTS	28-29
M. 零件號碼與頁數對照表	NUMERICAL PARTS-LIST	30-32

A. 2050 本機關係 FRAME & MISCELLANEOUS COVER COMPONENTS

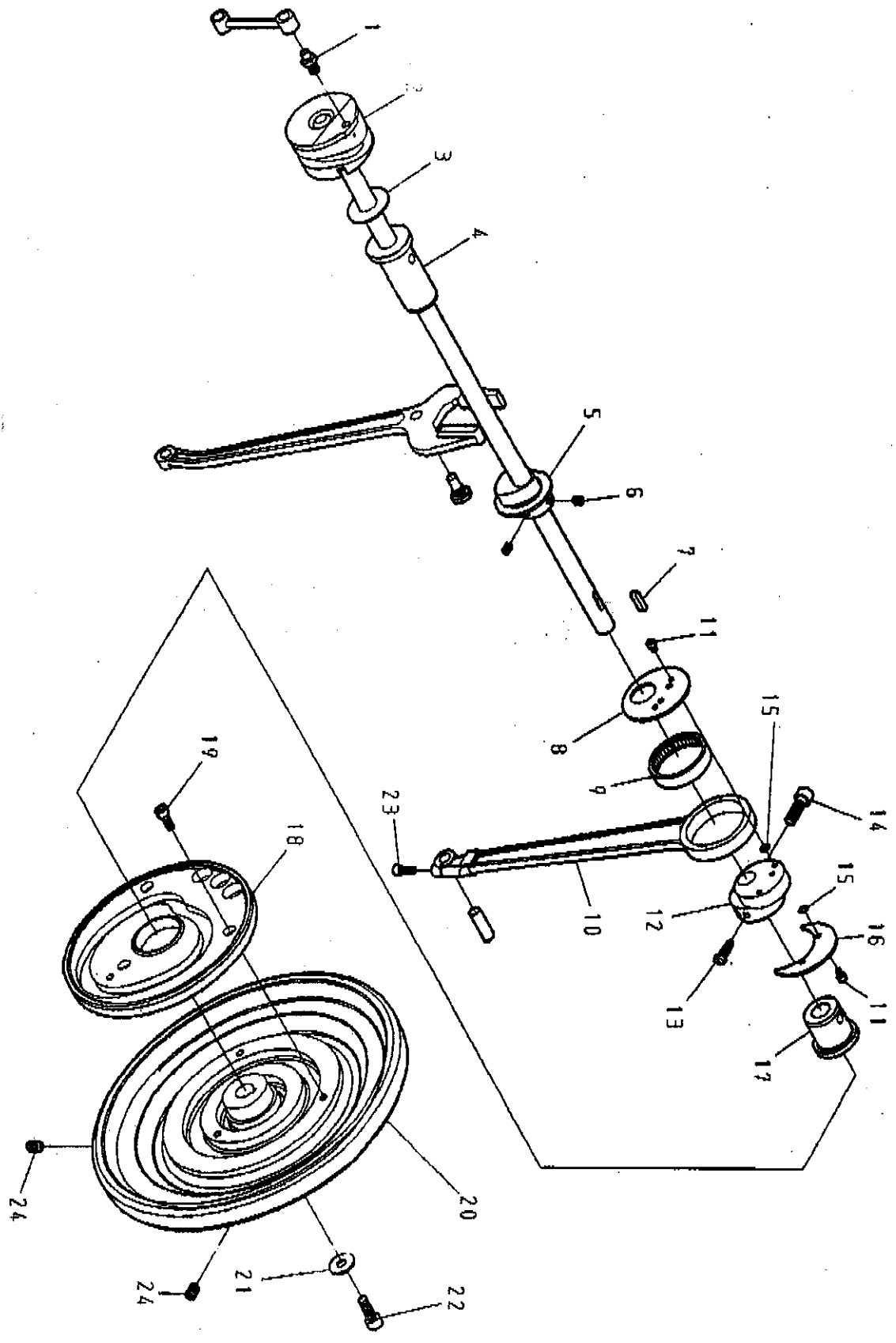


A. 2050 本體關係 FRAME & MISCELLANEOUS COVER COMPONENTS

REF. No. NOTE 零件號碼 Part No. 零件名稱 Name of Part 件數 QTY 備註 Remarks

REF. No.	NOTE	零件號碼	Part No.	零件名稱	Name of Part	件數	備註
						QTY	Remarks
1		2040111000		面板	Face Plate	1	
2		ZMJ04003		螺絲	Screw M4X0.7*15	2	
3		2040110900		面板(下)	Face Plate	1	
4		ZMJ04005		螺絲	Screw M4X0.7*12	2	
5		2040351900		保護蓋	Dust Stopper Plate	1	
6		ZMJ03010		螺絲	Screw M3X0.5*6	2	
7		ZMJ03001		螺絲	Screw M3X0.5*10	1	
8		XB400063		油棉	Felt	1	
9		204011100C		保護蓋	Cover	1	
10		ZMJ04020		螺絲	Screw M4X0.7*40	1	
11		441011300		針板	Throat Plate	1	
12		ZSB12045		螺絲	Screw 3/16-28*9	2	
13		ZSB11018		螺絲	Screw 11/64-40*9	2	
14		4710111600		角板	Slide Plate	1	
15		A1077-0A		橡膠塞	Oil Cap	4	
16		2040111200		橫蓋	Arm Side Cover	1	
17		ZMB05004		螺絲	Screw M5X0.8*10	2	
18		2040350200		橡膠塞	Oil Cap	1	
19		XB130001		油棉	Felt	1	
20		2040111100		上蓋	Top Cover	1	
21		ZMB05004		螺絲	Screw M5X0.8*10	2	
22		ZMB04016		螺絲	Screw M4X0.7*10	2	
23		WA046003		平墊圈	Washer	2	
24		XB215001		油棉	Felt	3	
25		2040351504		油槽	Oil tank	1	
26		XP300200		油管線	Oil Tube	1	
27		XA200400		油管線	Oil Wick	1	
28		2040335800		皮蒂蓋	Cover	1	
29		ZMB04013		螺絲	Screw M4X0.7*8	2	
30		2040113100		橫蓋	Arm Side Cover	1	
31		ZM.06001		螺絲	Screw M6X1.0*8	2	
32		YD040014A		銷	Spring Pins	1	
33		XA200280		油線	Oil Wick	1	
34		2040353604		油管接頭	Oil Pipe Joint	1	
35		XA200150		油線	Oil Wick	1	
36		2040270400		銷	Pin	1	
37		ZMH06008		螺絲	Screw M6X1.0*6	1	
38		4710111100		底座	Side Cover A	2	
39		ZSB09047		螺絲	Screw 9/64-40*7	2	
40		WC049001		墊圈	Washer	2	
41		XA200180		油線	Oil Wick	1	

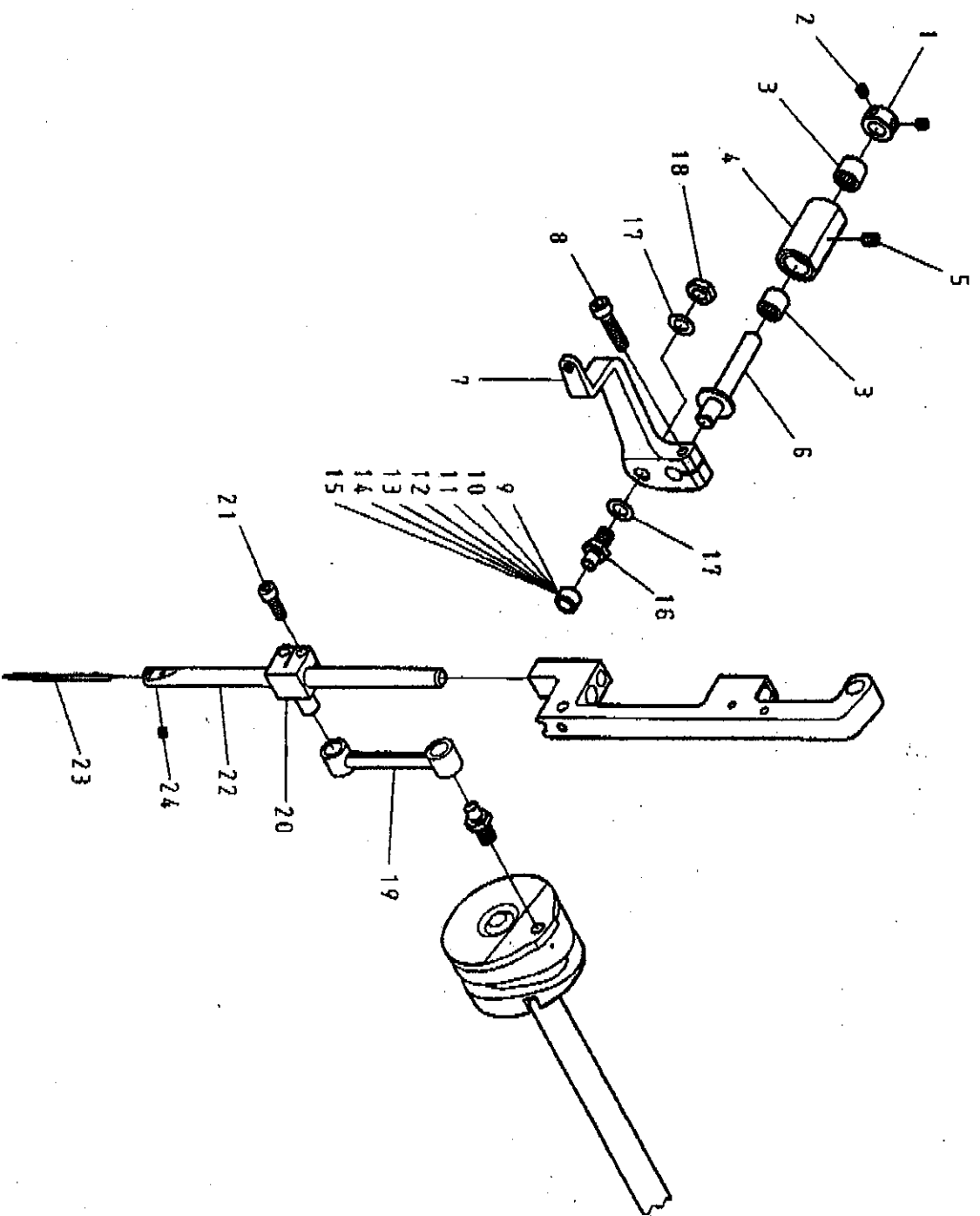
B. 2050 上軸圖樣 MAIN SHAFT COMPONENTS



B. 2050 上軸關係 MAIN SHAFT COMPONENTS

REF.No	NOTE	零件號碼	零件名稱	Name of Part	件數	備註
		Part No.			QTY	Remarks
1		2040121300	針棒連接軸	Needle Bar Crank Shaft	1	
2		2040120104	上軸(組)	Main Shaft Asm.	1	
3		WH216002	平墊圈	Washer	1	
4		2040120200	上軸套管(左)	Main Shaft Bushing Front	1	
5		2040122000	偏心輪	Feed Cam	1	
6		ZMH06003	螺絲	Screw M6X1.0*8	2	
7		KC0305520	鍵	Key	1	
8		204018200A	側板	Side Plate	1	
9		BNHK4512	軸承	Needle Bearing	1	
10		2040181800	動桿	Connecting Rod	1	
11		ZMJ04008	螺絲	Screw M4X0.7*6	4	
12		2040181900	偏心輪	Cor-Rod Eccentric Cam	1	
13		ZMB06020	螺絲	Screw M6X1.0*22	1	
14		ZMJ08011	螺絲	Screw M8X0.75*25	1	
15		WA040026	平墊圈	Washer	4	
16		204018200B	側板	Side Plate	1	
17		2040120400	上軸套管(右)	Main Shaft Bushing Rear	1	
18		2040144400	偏心輪	Driving Cam	1	
19		ZMJ06009	螺絲	Screw M6X1.0*18	3	
20		2040122300	皮帶輪	Hand Wheel	1	
21		WA089004	平墊圈	Washer	1	
22		ZMJ08003	螺絲	Screw M8X1.25*22	1	
23		ZMJ05003	螺絲	Screw M5X0.8*15	1	
24		ZMH08002	螺絲	Screw M8X1.25*12	2	

C. 2050 針棒·天線鋼絲 NEEDLE BAR & THREAD TAKE-UP LEVER COMPONENTS



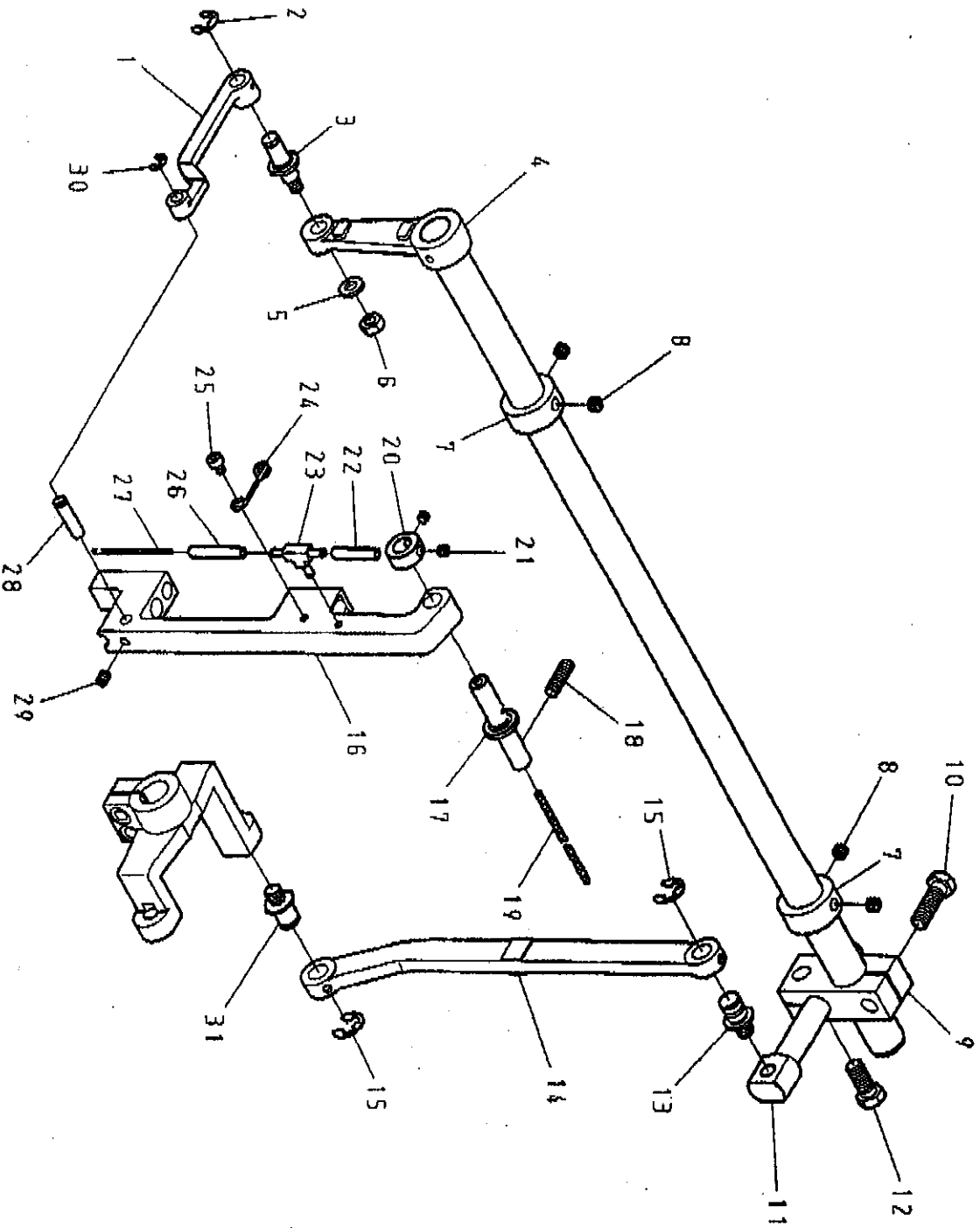
C. 2050 針桿·天秤關係 NEEDLE BAR & THREAD TAKE-UP LEVER COMPONENTS

REF.No	NOTE	零件號碼	零件名稱	Name of Part	件數	備註
		Part No.			QTY	Remarks
1		TC09008200	定礎	Thrust Collar	1	
2		ZMH05001	螺絲	Screw M5X0.8*5	2	
3		3NHK0910B	軸承	Needle Bearing	2	
4		2040192300	套管	Bushing	1	
5		ZMH06003	螺絲	Screw M6X1.0*8	1	
6		2040192100	軸	Shaft	1	
7		2040190104	天秤(結合)	Thread Take Up Lever Com.	1	
8		ZMJ05017	螺絲	Screw M5X0.8*25	1	
9	#01	2040190210	滾仔	Roller	(1)	
10	#01	2040190220	滾仔	Roller	(1)	
11	#01	2040190230	滾仔	Roller	(1)	
12	#01	2040190240	滾仔	Roller	(1)	
13	#01	2040190250	滾仔	Roller	(1)	
14	#01	2040190260	滾仔	Roller	(1)	
15	#01	2040190270	滾仔	Roller	(1)	
16		2040190300	滾仔固定軸	Roller Stud	1	
17		WAA080022	平墊圈	Washer	2	
18		ZMLD8004	螺帽	Nut M8X1.25	1	
19		2040121000	針桿連接器	Needle Bar Crank Rod	1	
20		2040140900	針桿鉗	Needle Bar Connection	1	
21		ZMJ05003	螺絲	Screw M5X0.8*15	2	
22		2040140100	針桿	Needle Bar	1	
23		IN794#200	針	Needle (794 Nm=200)	1	
24		ZMH04017	螺絲	Screw M4X0.5*4	1	

Note (注記) #01 ----- Selective parts 選擇部品



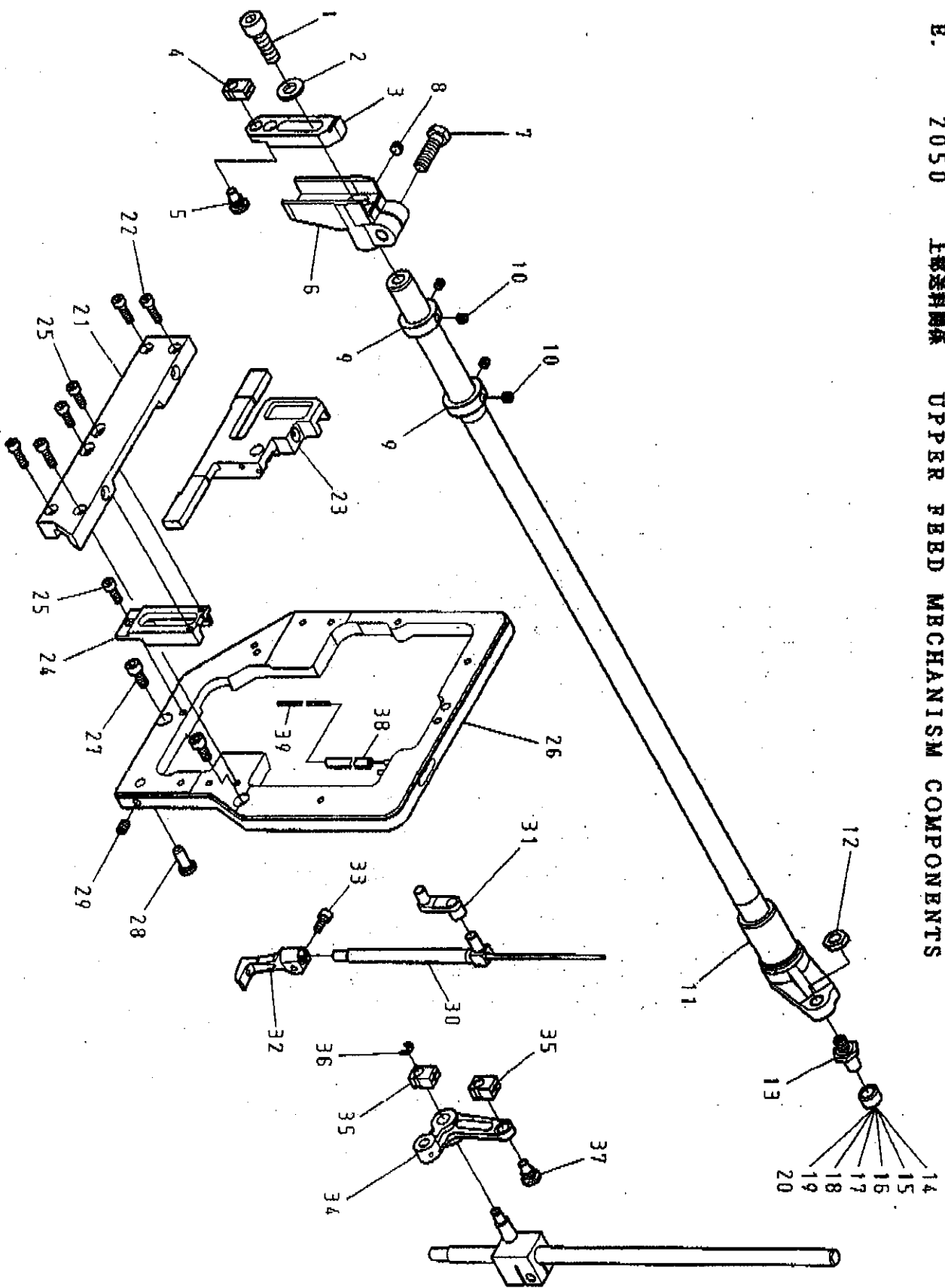
D. 2050 針桿搖擺機構 NEEDLE BAR ROCKING MOTION MECHANISM COMPONENTS



D. 2050 針棒搖擺關係 NEEDLE BAR ROCKING MOTION MECHANISM COMPONENTS

REF.No	NOTE	零件號碼	零件名稱	Name of Part	件數	備註
		Part No.			QTY	Remarks
1		2040143100	搖動連桿	Rod	1	
2		RE000070	E打環 7	Retaining Rings- E Type 7	1	
3		ZMK06025	螺絲	Hinge Screw	1	
4		2040142304	中軸連桿(前)(結合)	Driving Shaft Rod, Rear Com.	1	
5		WA006008	平墊圈	Washer	1	
6		ZML06001	螺帽	Nut M6X1.0	1	
7		LG4043-0A	定環	Thrust Collar	2	
8		ZSA16010	螺絲	Screw 1/4-40x4.5	4	
9		4410142400	中軸連桿(後)	Driving Shaft Rod, Rear	1	
10		ZSD20009	螺絲	Screw 5/16-18x25	1	
11		2040141900	中軸連桿銷(後)	Driving Shaft Rear Arm Pin	1	
12		ZSD20011	螺絲	Screw 5/16-18x19	1	
13		ZMK08016	螺絲	Hinge Screw	1	
14		2050271100	連桿	Lengthwise Feed Rod	1	
15		RE000080	E打環 8	Retaining Rings- E Type 8	2	
16		2040270100	針棒座	Frame Driving Base	1	
17		2040270200	針棒座軸	Frame Driving Base Shaft	1	
18		ZMH06016	螺絲	Screw M6X1.0x20	1	
19		XAZ000300	油線	Oil Wick	1	
20		TC09508200	定環	Thrust Collar	1	
21		ZMH05006	螺絲	Screw M8X0.8x4	2	
22		XP300045	油管線	Oil Tube	1	
23		2040353804	油管接頭	Oil Pipe Joint	1	
24		2040352900	油管支持片	Pipe Holder	1	
25		ZMA004008	螺絲	Screw M4X0.7x6	1	
26		XP300055	油管線	Oil Tube	1	
27		XA300460	油線	Oil Wick	1	
28		2040271300	銷	Pin	1	
29		ZMH05002	螺絲	Screw M5X0.8x6	1	
30		RE000040	E打環 4	Retaining Rings- E Type 4	1	
31		ZSK20009	螺絲	Hinge Screw	1	

E. 2050 上部送料機構 UPPER FEED MECHANISM COMPONENTS

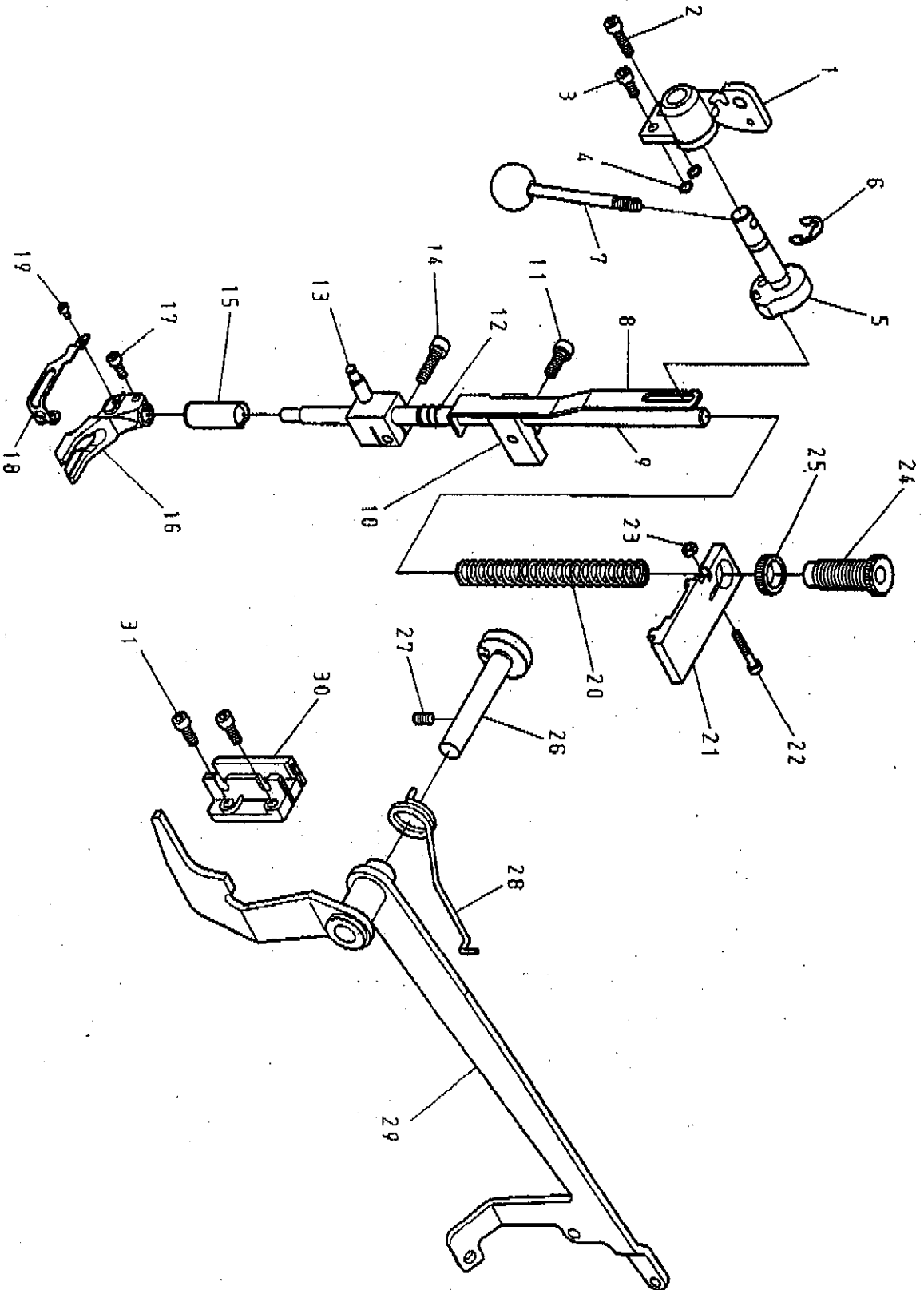


E. 2050 上部送料關係 UPPER FEED MECHANISM COMPONENTS

REF.No	NOTE	零件號碼	零件名稱	Name of Part	件數	備註
		Part No.			QTY	Remarks
1		ZMJ08008	螺絲	Screw M8X1.25*25	1	
2		WA080007	平墊圈	Washer	1	
3		2040142700	滑塊	Slide Block	1	
4		2040148000	滑塊	Slide Block	1	
5		ZMB08005	螺絲	Hinge Screw	1	
6		2040144600	上送軸柄	Driving Shaft Arm,Front	1	
7		ZSD20009	螺絲	Screw 5/16-18*25	1	
8		ZSA16020	螺絲	Screw 1/4-40*5.5	1	
9		TC16008200	定環	Thrust Collar	2	
10		ZMH05001	螺絲	Screw M5X0.8*5	4	
11		2040144704	上送軸曲柄(結合)	Driving Shaft Arm,Rear Com.	1	
12		ZML08004	螺帽	Nut M8 x 1.25	1	
13		ZMK08017	滾仔固定軸	Roller Stud	1	
14	#01	2040145410	滾仔	Roller	(1)	
15	#01	2040145420	滾仔	Roller	(1)	
16	#01	2040145430	滾仔	Roller	(1)	
17	#01	2040145440	滾仔	Roller	(1)	
18	#01	2040145450	滾仔	Roller	(1)	
19	#01	2040145460	滾仔	Roller	(1)	
20	#01	2040145470	滾仔	Roller	(1)	
21		2040142500	導板	Guide Plate	1	
22		ZMJ04003	螺絲	Screw M4X0.7*15	4	
23		2040142900	滑塊	Slide Block	1	
24		2040151100	導板	Guide Plate	1	
25		ZMJ04005	螺絲	Screw M4X0.7*12	3	
26		2040110604	面板土台(結合)	Face Plate Base Com.	1	
27		ZMJ05002	螺絲	Screw M5X0.8*12	2	
28		2040143700	銷	Pin	1	
29		ZMH05003	螺絲	Screw M5X0.8*8	1	
30		2040141704	中間桿棒(結合)	Vibrating Presser Bar Com.	1	
31		2040143300	押腳舉升運桿	Vibrating Presser Bar Link	1	
32		2040151000	內壓腳	Walking Foot	1	
33		ZMJ04002	螺絲	Screw M4X0.7*10	1	
34		2040143600	舉升曲臂運桿	Lifting Ball Crank	1	
35		2040148000	滑塊	Slide Block	2	
36		RE000040	E扣環 4	Retaining Rings- E Type 4	1	
37		ZMB08005	螺絲	Hinge Screw	1	
38		XP300100	油管線	Oil Tube	1	
39		XA200360	油線	Oil Wick	1	

Note(注記)#01 ----- Selective parts 選擇部品

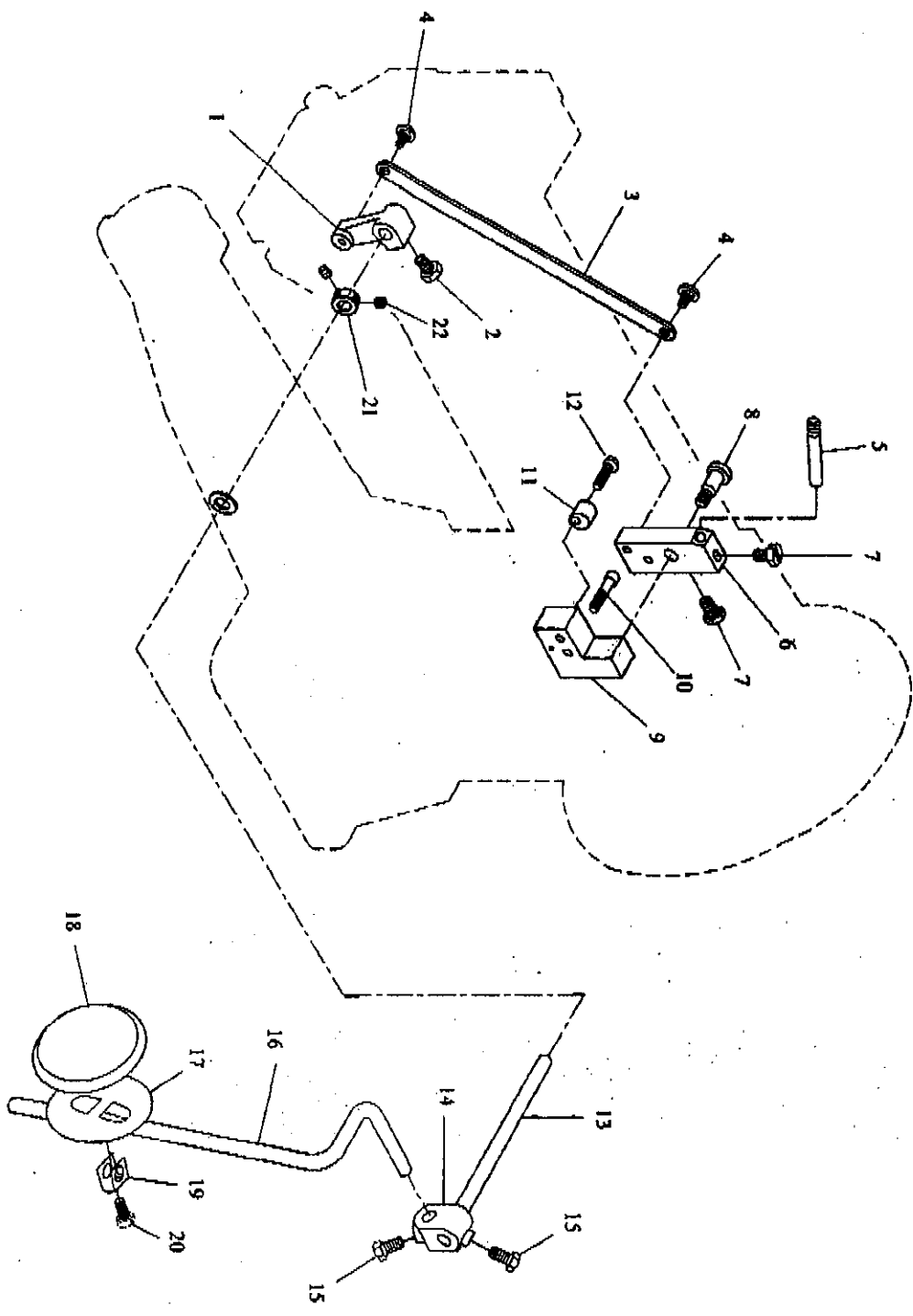
F. 2050 脚踏-脚弓器 (1/2) PRESSURE BAR & KNEE LIFTER COMPONENTS (1/2)



F. 2050 押脚・脚弓關係(1/2) PRESSURE BAR & KNEE LIFTER COMPONENTS (1/2)

REF. No	NOTE	零件號碼	零件名稱	Name of Part	件數	備註
		Part No.			QTY	Remarks
1		2040157104	支持台(結合)	Bracket Com.	1	
2		ZMJ05004	螺絲	Screw M5X0.8*20	1	
3		ZMJ05002	螺絲	Screw M5X0.8*12	1	
4		WAA059006	平墊圈	Washer	2	
5		2040150704	押脚偏心軸(結合)	Hand Lifter Cam Com.	1	
6		RE000100	E打環 10	Retaining Rings- E Type 10	1	
7		2040150804	押脚提桿(結合)	Hand Lifter Lever Com.	1	
8		2040340300	壓棒固定座	Hand Lifter Link	1	
9		2040150100	押棒	Presser Bar	1	
10		2040150500	押棒提昇器	Presser Bar Lifter	1	
11		ZMJ06009	螺絲	Screw M6X1.0*18	1	
12		2040340200	壓縮彈簧	Spring	1	
13		2040143500	舉升曲臂連桿土台	Lifting Bell Crank Base	1	
14		ZMJ06006	螺絲	Screw M6X1.0*23	1	
15		2040150200	押棒套管	Bushing	1	
16		2040143800	外壓脚	Presser Foot	1	
17		ZMJ04005	螺絲	Screw M4X0.7*12	1	
18		2040152500	保護板	Guard	1	
19		ZMJ03010	螺絲	Screw M3X0.5*6	1	
20		2040150400	壓縮彈簧	Presser Spring	1	
21		2040159900	上蓋	Top Cover	1	
22		ZMJ04004	螺絲	Screw M4X0.7*25	1	
23		ZML04006	螺帽	Nut M4X0.7	1	
24		4710150300	螺絲	Screw	1	
25		4710151500	螺帽	Nut	1	
26		2040341700	軸	Shaft	1	
27		ZMH06023	螺絲	Screw M6X1.0*12	1	
28		2040342300	彈簧	Spring	1	
29		2040150604	押脚抬高桿	Foot Lifter Lifting Lever	1	
30		2040151700	導板	Guide Plate	1	
31		ZMJ05003	螺絲	Screw M5X0.8*15	2	

F. 2050 押脚、脚弓关系 (2/2) PRESSURE BAR & KNEE LIFTER COMPONENTS (2/2)



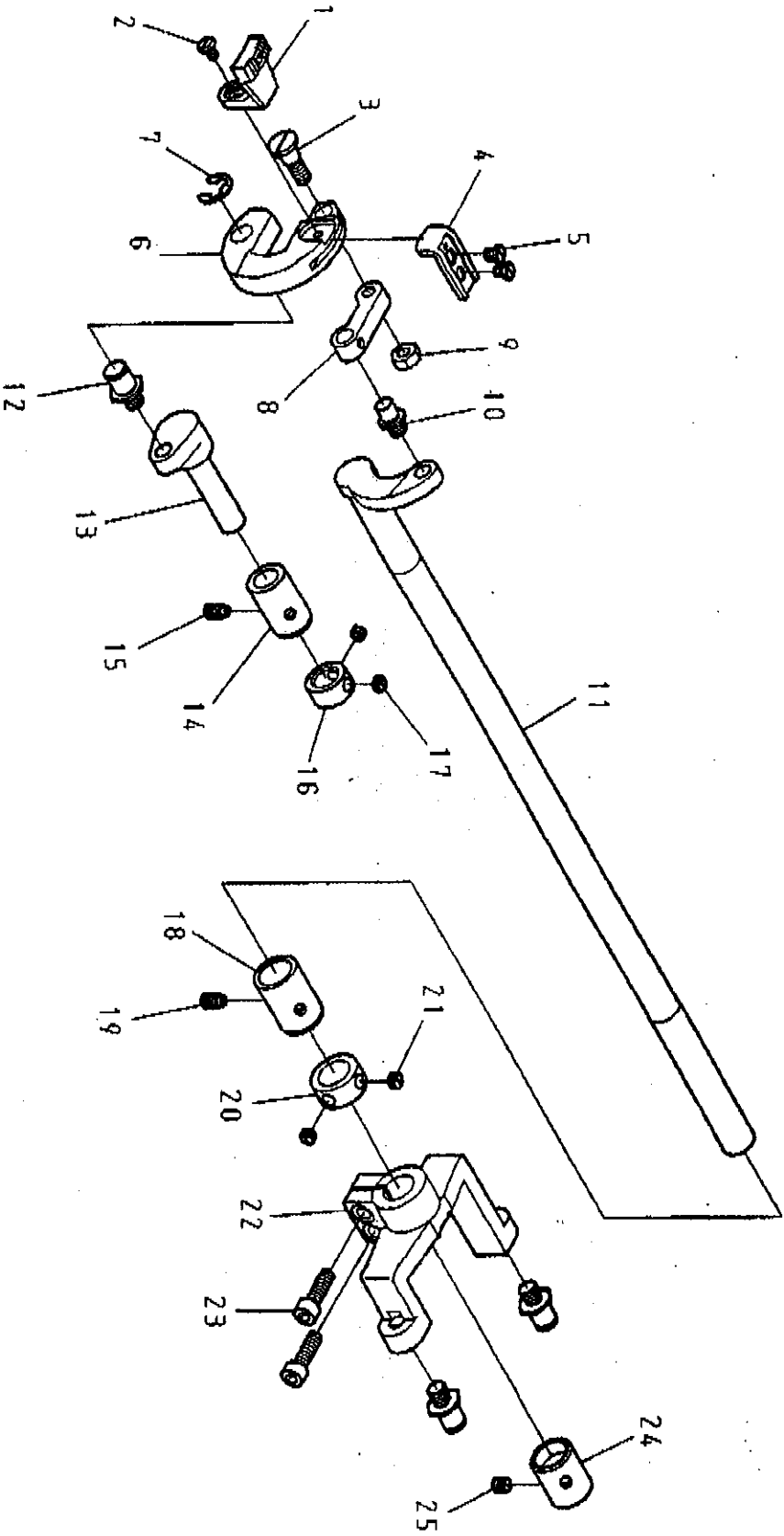
F. 2050 押脚、脚弓關係 (2/2) PRESSURE BAR & KNEE LIFTER COMPONENTS (2/2)

頂次 NO	NOTE	零件號碼 Parts No.	零件名稱 Name of Parts	件數 QTY	備注 Remarks
1	#02	4710341600	連接器	1	KNEE LIFTER CRANK (REAR)
2	#02	ZSD20M07	螺絲	1	SCREW (5/16-18x16)
3	#02	2050343400	連杆	1	CONNECTING LINK
4	#02	ZSG16013	螺絲	2	HINGE SCREW
5	#02	4710340900	連接棒	1	LIFTER LEVER CONNECTING ROD
6	#02	4710342000	連接器	1	KNEE LIFTER CRANK
7	#02	ZMD08003	螺絲	2	SCREW (M8x1.25x15.5)
8	#02	ZMG08005	螺絲	1	HINGE SCREW
9	#02	2050342100	支持臂	1	BRACKET
10	#02	ZM106007	螺絲	2	SCREW (M6x1.0x30)
11	#02	837034110M	固定銷	1	STOPPER
12	#02	ZSB16011	螺絲	1	SCREW (1/4-24x25)
13	#02	2050341700	脚押百杆	1	KNEE LIFTER SHAFT
14	#02	A7034-0A	連接器	1	KNEE LIFTER CRANK
15	#02	ZSD20007	螺絲	2	SCREW (5/16-24x25)
16	#02	4710341900	脚押曲杆	1	KNEE LEVER ROD
17	#02	A7037-1A	脚弓解支架	1	KNEE PLATE
18	#02	A7037-0A	脚弓大瓣	1	KNEE GUARD
19	#02	A7036-0A	固定支架	1	RETAINER
20	#02	ZSD15007	螺絲	1	SCREW (15/64-28x14)
21	#02	LG4014-0A	定限	1	THRUST COLLAR D-11.11 W-10
22	#02	ZSH16M05	螺絲	2	SCREW (15/64-28x9)

NOTE (FIELD) #02 ----- OPTIONAL PARTS 特別注文部品



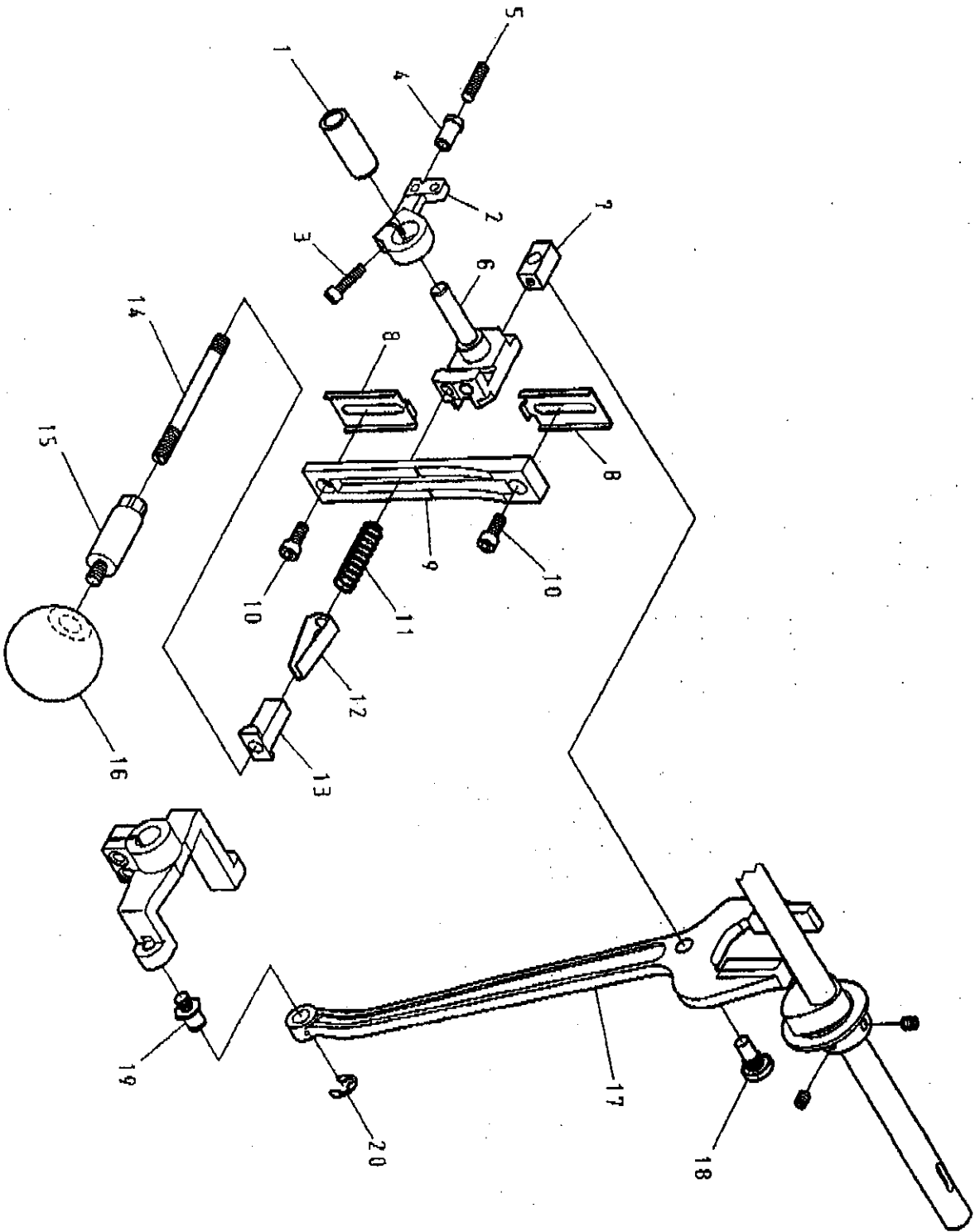
G. 2050 下部送料關係 LOWER FEED MECHANISM COMPONENTS



G. 2050 下部送料關係 LOWER FEED MECHANISM COMPONENTS

REF No	NOTE	零件號碼	零件名稱	Name of Part	件數	備註
		Part No.			QTY	Remarks
1		4410161400	送料齒	Feed Dog	1	
2		ZSB11041	螺絲	Screw 11/64-40*7	1	
3		ZSG16024	螺絲	Hinge Screw	1	
4		4710162100	送料台押板	Feed Bar Presser	1	
5		ZSB11035	螺絲	Screw 11/64-40*6	2	
6		4710160100	送料台	Feed Bar	1	
7		RE000080	E扣環 8	Retaining Rings- E Type 8	1	
8		4710160200	送料台連接棒	Feed Bar Link	1	
9		ZSL16004	螺帽	Nut 1/4-24	1	
10		ZSK20007	螺絲	Hinge Screw	1	
11		4710160404	擺動軸	Hinge Rocker Shaft	1	
12		ZSK20009	螺絲	Hinge Screw	1	
13		4710160300	上下送料軸	Driving Shaft	1	
14		4710161700	上下送料軸套管	Driving Shaft Metal	1	
15		ZSA15037	螺絲	Screw 15/64-28*10.5	1	
16		LG4014-0A	定環	Thrust Collar	1	
17		ZSA16029	螺絲	Screw 1/4-40*3.5	2	
18		4710160600	擺動軸套管(前)	Bushing, Front	1	
19		ZSA15037	螺絲	Screw 15/64-28*10.5	1	
20		LG4044-0A	定環	Thrust Collar	1	
21		ZSA16029	螺絲	Screw 1/4-40*3.5	2	
22		2050160800	擺動曲軸	Feed Rocker Shaft Crank	1	
23		ZML06004	螺絲	Screw M6X1.0*20	2	
24		4710160700	擺動軸套管(後)	Bushing, Rear	1	
25		ZSA15028	螺絲	Screw 15/64-28*7	1	

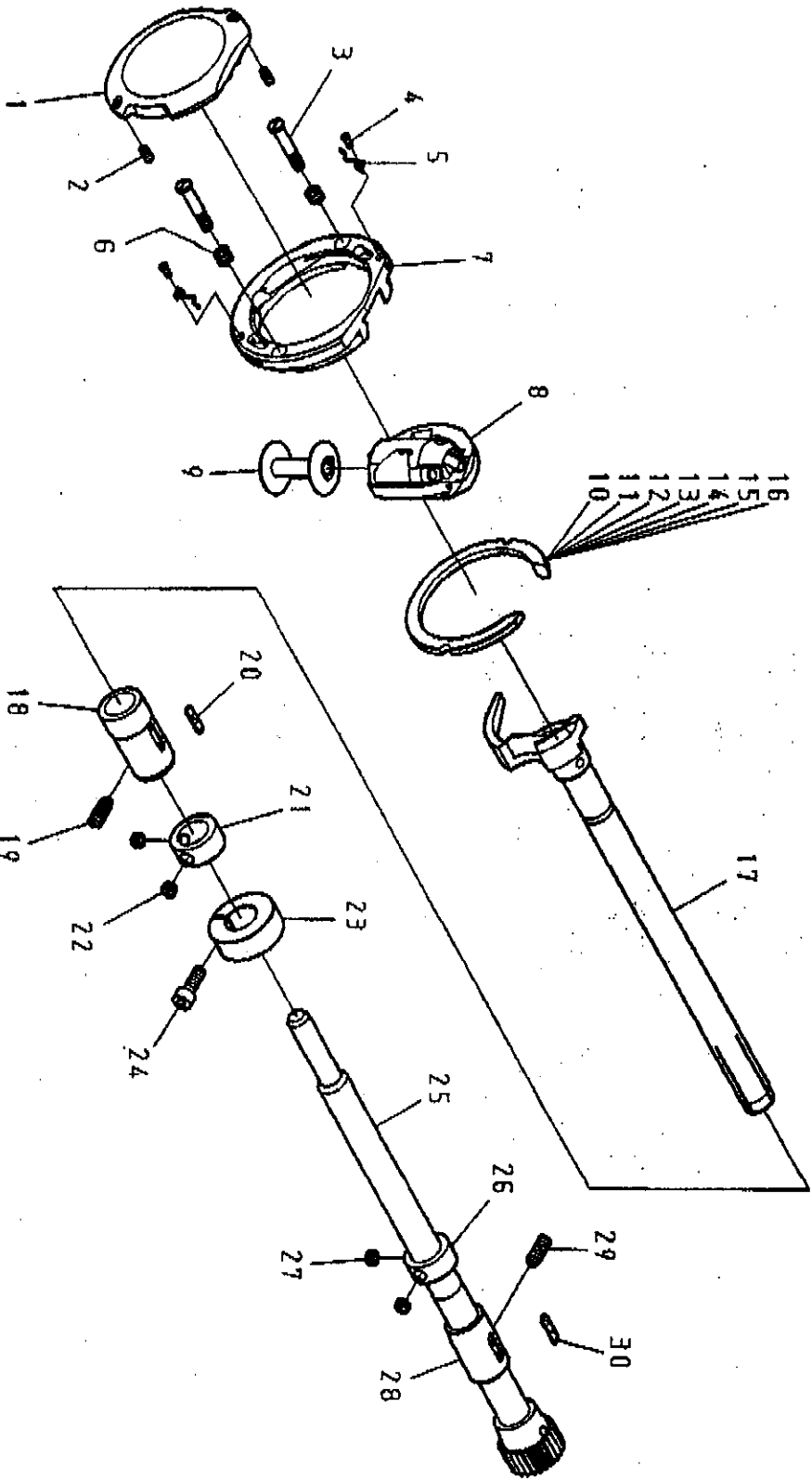
H. 2050 縫目調節機構 FEED ADJUSTMENT MECHANISM COMPONENTS



H. 2050 縫目調節關係 FEED ADJUSTMENT MECHANISM COMPONENTS

REF. No	NOTE	零件號碼	零件名稱	Name of Part	件數	備註
1	2	3	4	5	6	7
2040167900			蓋管	Bushing	1	
2040162200			送料調節桿	Feed Regulator	1	
ZMJ05004			螺絲	Screw M5X0.8*20	1	
ZMF08005			螺帽	Nut M6X1.0	1	
ZMF08024			螺絲	Screw M6X1.0*25	1	
2040161104			送料調節桿 (結合)	Feed Regulator Com.	1	
2040167200			滑塊	Slide Block	1	
2040164500			定位板	Stopper Plate	2	
2050161300			刻度板	Side Cover	1	
ZMJ06002			螺絲	Screw M6X1.0*15	2	
2040162000			彈簧	Spring	1	
2040161900			簧片	Leaf Spring	1	
2040162100			滑塊	Slide Block	1	
2040161800			縫目調整桿	Lever Shaft	1	
2040161200			倒鉤桿推	Lever	1	
4710161600			連接叉桿	Lever Grip	1	
2050160900			螺絲	Rod	1	
ZMB10002			螺絲	Hinge Screw	1	
ZSK20009			螺絲	Hinge Screw	1	
RE000080			E扣環	Retaining Rings E Type	1	

I. 2050 下轴总成 (1/2) HOOK DRIVE SHAFT COMPONENTS (1/2)



1. 2050 下軸關係 (1/2) HOOK DRIVE SHAFT COMPONENTS(1/2)

REF.No	NOTE	零件號碼	零件名稱	Name of Part	件數	備註
		Part No.			QTY	Remarks
1		4710183600	接頭蓋	Hook Cover	1	
2		4710184000	螺絲	Screw	2	
3		ZSG12047	螺絲	Hinge Screw	2	
4		ZSSG06004	螺絲	Hinge Screw	2	
5		4710183700	接頭彈簧	Hook Cover Spring	2	
6		4710183800	壓縮彈簧	Hook Counter Spring	2	
7		4710187400	接頭罩環座	Shuttle Race Body	1	
8		4710181300	接頭	Hook Asm.	1	
9		4710183200	梭仔	Bobbin	1	
10		4710184200	固定輪 (標準)	Distance Piece (Standard)	1	
11	#01	4710184210	固定輪	Distance Piece	(1)	
12	#01	4710184220	固定輪	Distance Piece	(1)	
13	#01	4710184230	固定輪	Distance Piece	(1)	
14	#01	4710184240	固定輪	Distance Piece	(1)	
15	#01	4710184250	固定輪	Distance Piece	(1)	
16		4710184260	固定輪	Distance Piece	(1)	
17		2050781604	接頭驅動柄 (結合)	Shuttle Driver Com.	1	
18		4710180301	下軸套管 (左)	Bushing, Front	1	
19		ZSA15010	螺絲	Screw 15/64-28*15	1	
20		4710183800	油定環	Oil Felt	1	
21		LG4044-0A	螺絲	Thrust Collar	1	
22		ZSA18029	螺絲	Screw 1/4-40*3.5	2	
23		2040186600	螺絲	Joint	1	
24		ZM.M5003	螺絲	Screw M5X0.8*15	1	
25		2040180704	螺絲 (結合)	Lower Shaft Gear Com.	1	
26		LG4044-0A	定環	Thrust Collar	1	
27		ZSA18029	螺絲	Screw 1/4-40*3.5	2	
28		4710180500	下軸套管 (右)	Bushing, Rear	1	
29		ZSA15010	螺絲	Screw 15/64-28*15	1	
30		4710183900	螺絲	Oil Felt	1	

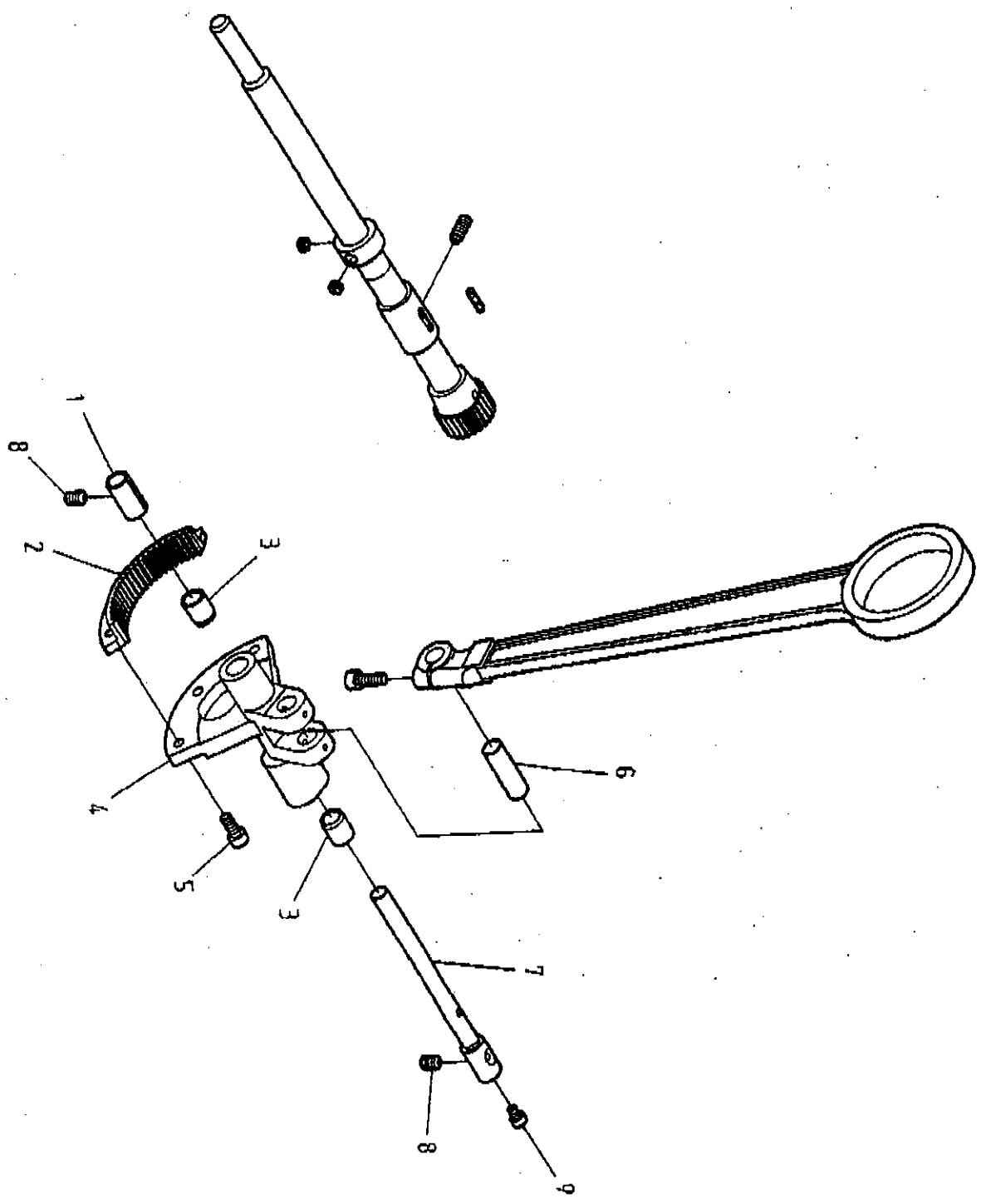
Note(注記)#01 ----- Selective parts 選擇部品

1.

2050

下轴驱动 (2/2)

HOOK DRIVE SHAFT COMPONENTS (2/2)

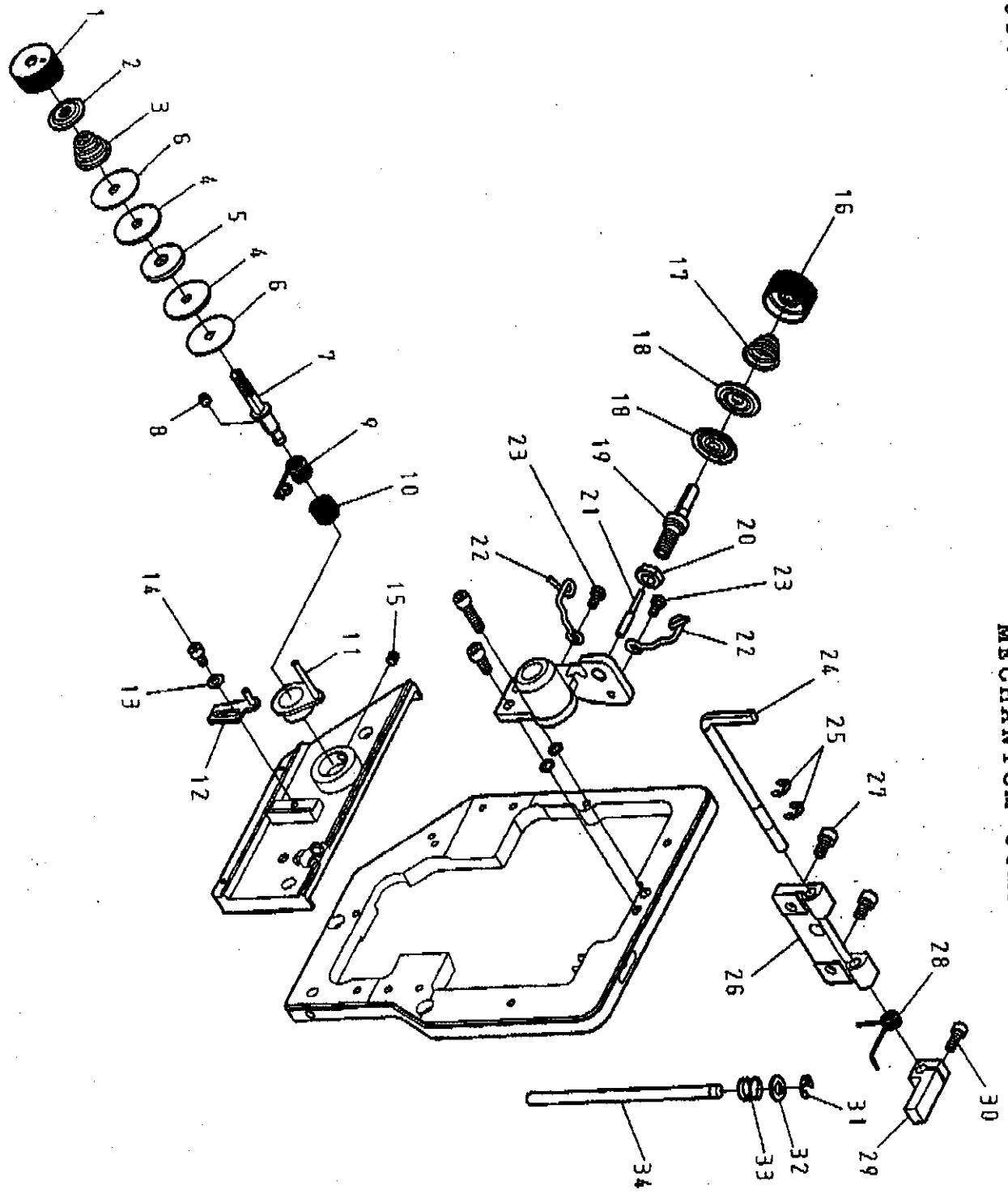


1. 2050 下刺齒條 (2/2) HOOK DRIVE SHAFT COMPONENTS(2/2)

REF.No	NOTE	零件號碼 Part No.	零件名稱 Name of Part	件數 QTY	備註 Remarks
1		2040182400	套管 Bushing	1	
2		2040182500	齒輪 Rock Gear	1	
3		204018220A	套管 Bushing	2	
4		2040182280	搖動柄 Oscillating Rock Shaft	1	
5		ZMJ05002	螺絲 Screw M5X0.8*12	3	
6		2040183000	銷 Pin	1	
7		2040182300	軸 Shaft	1	
8		ZMH06010	螺絲 Screw M8X1.0*10	2	
9		ZMJ04008	螺絲 Screw M4X0.7*6	1	

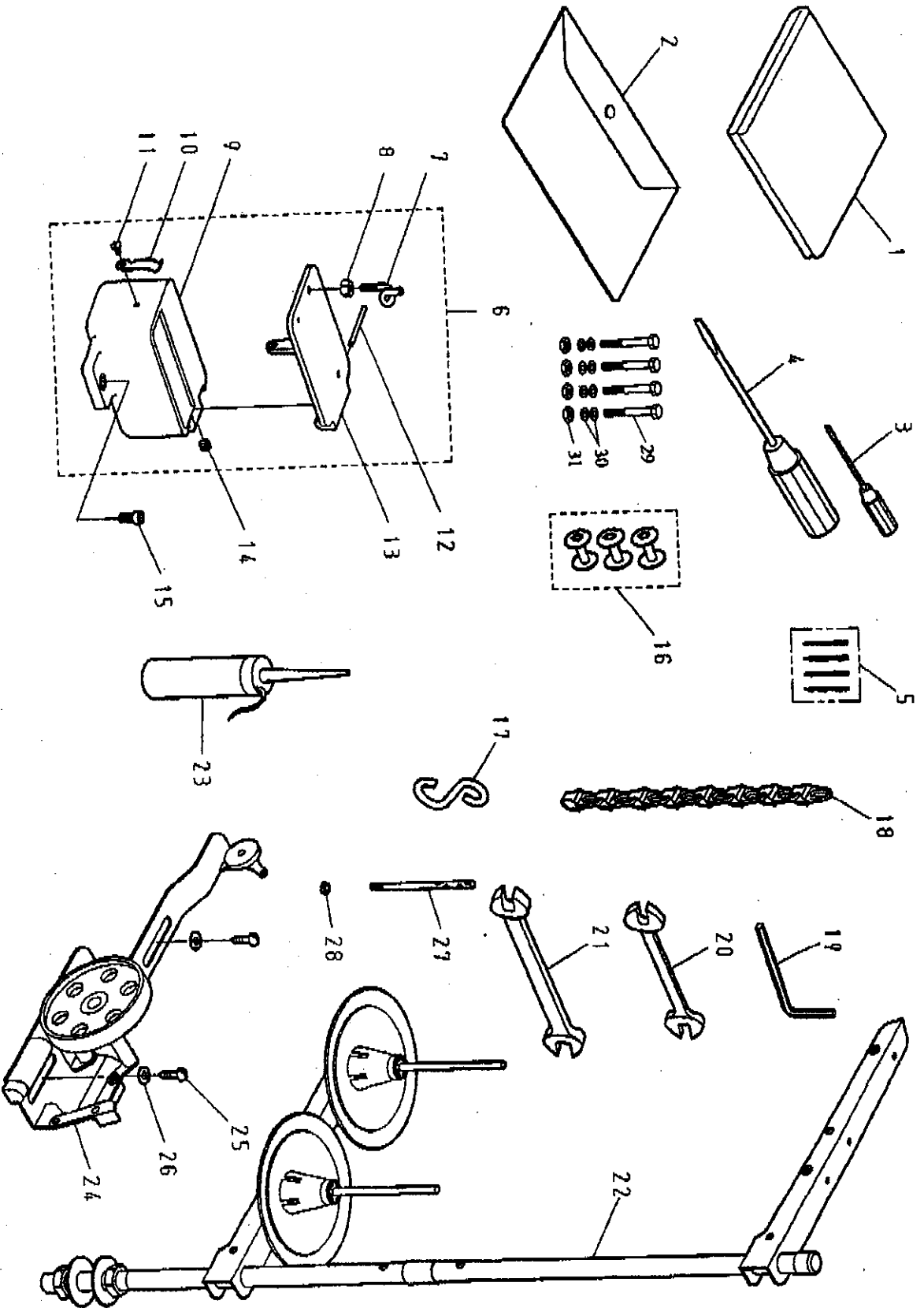


UPPER THREAD TENSION REGULATOR MECHANISM COMPONENTS



J. 2050 縫線壓力調節關係 UPPER THREAD TENSION REGULATOR MECHANISM COMPONENTS

REF.No	NOTE	零件號碼	零件名稱	Name of Part	件數	備註
		Part No.			QTY	Remarks
1		2040310300	螺帽	Nut	1	
2		2040315400	線調整壓盤	Tension Regulator Presser Disk	1	
3		2040310400	調整彈簧	Thread Tension Spring	1	
4		2040311300	棉環倒盤	Felt Support Plate	2	
5		2040311200	調整線輪	Thread Tension Wheel	1	
6		2040311400	棉環倒盤	Felt Support Plate	2	
7		2040311100	調整螺絲桿	Thread Tension Wheel Post	1	
8		ZMH05001	螺絲	Screw M5X0.8*5	1	
9		2040310800	吊線彈簧	Spring A	1	
10		2040310900	吊線彈簧	Spring B	1	
11		2040310504	彈簧座(結合)	Thread Tension Post Bracket Com.	1	
12		2040311004	線輪彈簧調整器(結合)	Spring Support Plate Com.	1	
13		WA049003	平墊圈	Washer	1	
14		ZMJ04001	螺絲	Screw M4X0.7*8	1	
15		ZMH05001	螺絲	Screw M5X0.8*5	1	
16		2040310300	螺帽	Nut	1	
17		2040315800	調整彈簧	Thread Tension Spring	1	
18		A1025-0A	壓線盤	Tension Disk	2	
19		2040310100	調整螺絲桿	Thread Tension Post	1	
20		ZML08004	螺帽	Nut M8X1.25	1	
21		2040312000	線螺絲	Tension Releasing Pin	1	
22		2040310600	螺絲	Thread Tension Guide	2	
23		ZMB04011	螺絲	Screw M4X0.7*8	2	
24		2040317100	螺絲導板	Tension Releasing Plate	1	
25		RE000050	E打環 5	Retaining Rings- E Type 5	2	
26		2040317000	螺絲導座	Tension Releasing Base	1	
27		ZMJ05008	螺絲	Screw M5X0.8*10	2	
28		2040312300	彈簧	Spring	1	
29		2040317500	連桿	Link	1	
30		ZMJ04005	螺絲	Screw M4X0.7*12	1	
31		RE000050	E打環 5	Retaining Rings- E Type 5	1	
32		WA060035	平墊圈	Washer	1	
33		2040315900	彈簧	Spring	1	
34		2040317200	連接桿	Tension Releasing Bar	1	



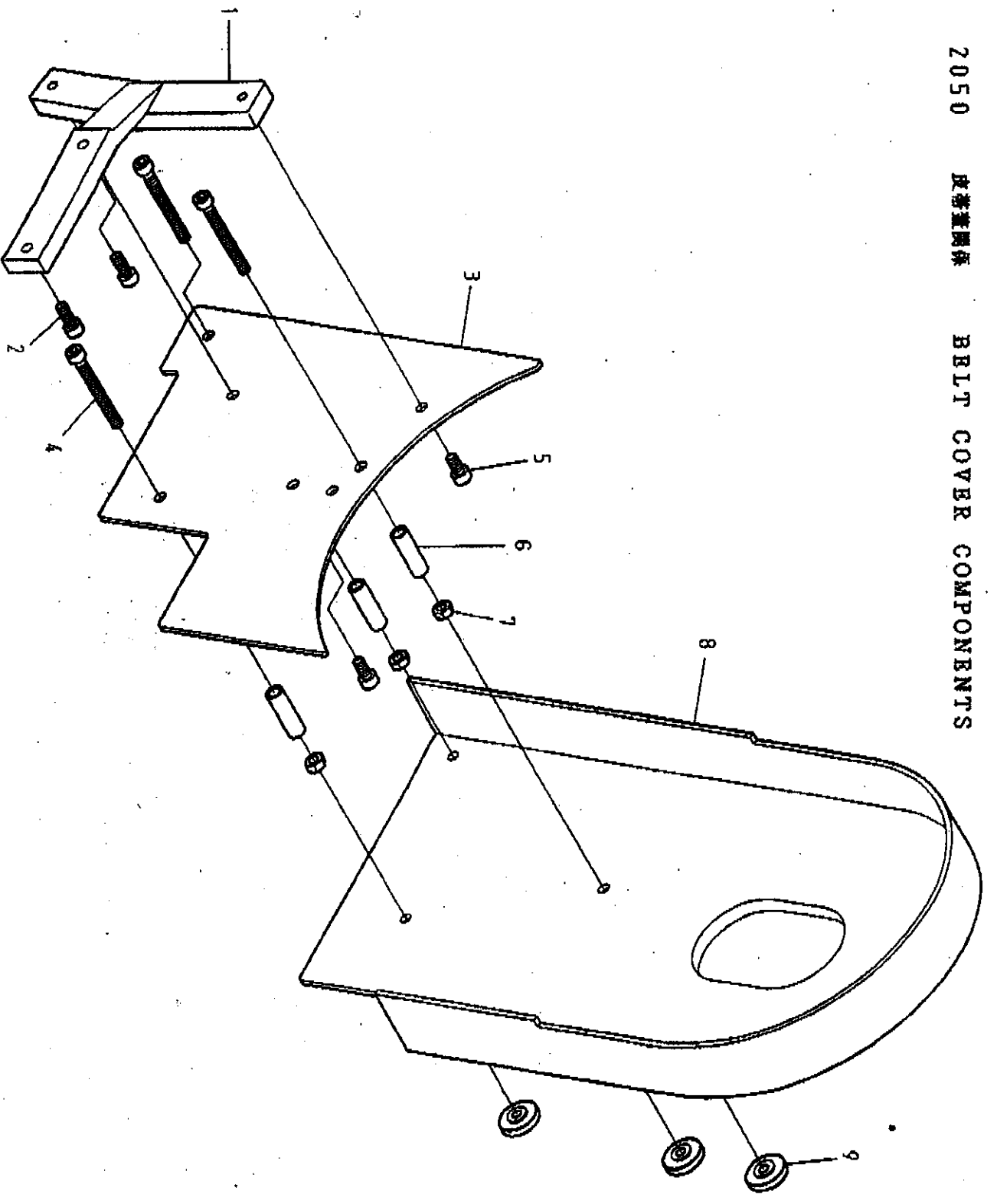
**K. 2050 附件關係 ACCESSORIES**

項次 NO	NOTE	零件號碼 Parts No.	零件名稱 Name of Parts	件數 QTY	備註 Remarks
1		47109109K0	車頭蓋	1	VINYL COVER
2		A7000-0A	工具袋	1	ACCESSORY BOX
3		A7010-0A	螺絲起子 (小)	1	SCREW DRIVER (S)
4		A7010-2A	螺絲起子 (大)	1	SCREW DRIVER (L)
5		IN794#2K0	針	1	NEEDLE (794#200-4)
6	#02	2050911005	油壺 (組)	4	OIL POT ASM.
7	#02	4710911200	縫紉內	1	FRAME THREAD GUIDE
8	#02	ZSL06001	螺帽	(1)	NUT (3/32-56x3)
9	#02	2050911000	油壺	(1)	OIL CAN.
10	#02	4710911300	彈簧板	(1)	COVER STOPPER
11	#02	ZSB09047	螺絲	(1)	SCREW (9/64-40x7)
12	#02	4710911400	銷	(1)	PIN.
13	#02	4709911100	油蓋蓋	(1)	OIL POT COVER
14	#02	ZSA09005	螺絲	(1)	SCREW (9/64-40x3.5)
15	#02	ZMJ06103	螺絲	(1)	SCREW (M6x1.0x14)
16		4710183200	梭仔	1	BOBBIN.
17		4710340800	S型銷	3	S-PLUG.
18		4710341400	線	2	CHAIN.
19		TLA020	六角型螺絲起子	1	HEXAGONAL WRENCH KEY 2mm
20		TRB06x07	開口扳手	1	WRENCH (6x7)
21		TRB08x10	開口扳手	1	WRENCH (8x10)
22		J7050-0A	線架	1	THREAD STAND
23		A7012-1A	油壺 (中)	1	OILER (M)
24		2040320106	卷線器組	1	BOBBIN WINDER
25		ZMT05001	木螺絲	1	WOOD SCREW (4.5x-18)
26		WA059003	平墊圈	2	WASHER
27		4710113400	絨柱	2	NEEDLE THREAD GUIDE PIN
28		ZSL12003	螺帽	1	NUT (3/16-32x3)
29		ZMD10M05	螺絲	1	SCREW (M10x1.5x-31)
30		WA110003	平墊圈	4	WASHER
31		ZML30004	螺帽	8	NUT (M10x1.5x8.4)

NOTE (FIELD) #02

OPTIONAL PARTS 特製注文部品

L. 2050 皮帶蓋關係 BELT COVER COMPONENTS



2050 皮帶蓋關係 BELT COVER COMPONENTS

REF.No	Note	零件號碼	零件名稱	Name of Part	件數	備註
		Part No.			QTY	Remarks
1		2050336000	皮帶蓋土台	Belt Cover Base	1	
2		ZMJ06002	螺絲	Screw M6X1.0*15	2	
3		2050335600	皮帶蓋支持板	Belt Cover Mounting Plate	1	
4		ZMJ06024	螺絲	Screw M6X1.0*55	3	
5		ZMJ06008	螺絲	Screw M6X1.0*12	2	
6		2050335300	皮帶蓋固定管	Belt Cover Stud	3	
7		ZML06001	螺帽	Nut M6X1.0	3	
8		2050335100	皮帶蓋 A	Belt Cover A	1	
9		ZMR06007	螺帽	Nut M6 x 1.0	3	

M. 2050 零件號碼與頁數對照表(1/3)		NUMERICAL PARTS-LIST (1/3)	
零件號碼	頁數	零件號碼	頁數
2040317200	25-34	204011100C	3-9
2050160800	17-22	2040150100	13-9
2050911080	27-9	2040150200	13-15
2050911005	27-6	2040150400	13-20
4410161400	17-1	2040150500	13-10
4710111100	3-38	2040150604	13-29
4710160100	17-6	2040150704	13-5
4710160200	17-8	2040150804	13-7
4710160300	17-13	2040151000	11-32
4710160404	17-11	2040151100	11-24
4710160600	17-18	2040151700	13-30
4710160700	17-24	2040152500	13-18
4710161700	17-14	2040157104	13-1
4710162100	17-4	2040159900	13-21
4710180301	21-18	2040161104	19-6
4710180500	21-28	2040161200	19-15
4710181400	21-7	2040161800	19-14
4710183600	21-1	2040161900	19-12
4710183700	21-5	2040162000	19-11
4710183800	21-6	2040162100	19-13
4710183900	21-20	2040162200	19-2
4710184000	21-30	2040164500	19-8
4710184200	21-2	2040167200	19-7
4710184210	21-10	2040167900	19-1
4710184220	21-11	2040180704	21-25
4710184230	21-13	2040181800	5-10
4710184240	21-14	2040181900	5-12
4710184250	21-15	204018200A	5-8
4710184260	21-16	204018200B	5-16
4710911100	27-13	2040182200	23-4
4710911200	27-7	2040182300	23-3
4710911300	27-10	2040182300A	23-7
4710911400	27-12	2040182500	23-1
2040110604	11-26	2040183000	23-2
2040110900	3-3	2040186600	21-23
2040111000	3-1	2040190104	7-7
		2040190210	7-9
		2040190220	7-10
		2040190230	7-11
		2040190240	7-12
		2040190250	7-13
		2040190260	7-14
		2040190270	7-15
		2040190300	7-16
		2040192100	7-6
		2040192300	7-4
		2040270100	9-18
		2040270200	9-17
		2040270400	3-36
		2040271300	9-28
		2040310100	25-19
		2040310300	25-1
		2040310400	25-16
		2040310504	25-3
		2040310600	25-11
		2040310800	25-22
		2040310900	25-9
		2040311004	25-10
		2040311100	25-12
		2040311200	25-7
		2040311300	25-5
		2040311400	25-4
		2040312000	25-6
		2040312300	25-21
		2040315400	25-28
		2040315800	25-2
		2040315900	25-17
		2040317100	25-33
		2040317500	25-26
		2040320105	25-24
		20403335800	27-29
		2040340200	27-24
			13-12

M. 2050 零件號碼與頁數對照表(2/3) NUMERICAL PARTS-LIST (2/3)

零件號碼	頁數	零件號碼	頁數	零件號碼	頁數	零件號碼	頁數
Part No.	PAGE	Part No.	PAGE	Part No.	PAGE	Part No.	PAGE
2040340300	13-8	8370341100	15-11	WA040026	5-15	ZMG08005	15-8
2040341700	13-26	A1025-0A	25-18	WA049003	3-23	ZMH04017	7-24
2040342300	13-28	A1077-0A	3-15	WA049003	25-13	ZMH05001	7-2
2040350200	3-18	A7000-0A	27-2	WA059003	27-26	ZMH05001	11-10
2040351504	3-25	A7010-0A	27-3	WA059006	13-4	ZMH05001	25-8
2040351900	3-5	A7010-2A	27-4	WA060035	25-32	ZMH05001	25-15
2040352900	3-24	A7012-1A	27-23	WA06008	9-5	ZMH05002	9-29
2040353604	3-34	A7034-0A	15-14	WA080007	11-2	ZMH05003	11-29
2040353804	9-23	A7036-0A	15-19	WA080022	7-17	ZMH05006	9-21
2050160900	19-17	A7037-0A	15-18	WA089004	5-21	ZMH06003	5-6
2050161300	19-9	A7037-1A	15-17	WCD049001	3-40	ZMH06003	7-5
2050181604	21-17	BNHK0910B	7-3	WH216002	5-3	ZMH06008	3-37
2050271100	9-14	BNHK4512	5-9	XA200150	3-35	ZMH06010	23-8
2050335100	29-8	IN7944200	7-23	XA200180	3-41	ZMH06016	9-18
2050335300	29-6	IN7944200	27-5	XA200280	3-33	ZMH06023	13-27
2050335600	29-3	J7050-0A	27-22	XA200300	9-19	ZMH06024	19-5
2050336000	29-1	KC0305520	5-7	XA200360	11-39	ZMH08002	5-24
2050341700	15-13	LG4014-0A	17-16	XA200400	3-27	ZMJ03001	3-7
2050342100	15-9	LG4043-0A	9-7	XA300460	9-27	ZMJ03010	3-6
2050343400	15-3	LG4044-0A	17-20	XB130001	3-19	ZMJ03010	13-19
4410111300	3-11	LG4044-0A	21-21	XB215001	3-24	ZMJ04001	25-14
4710111600	3-14	RE000040	21-26	XB400063	3-8	ZMJ04002	11-33
4710113400	27-27	RE000040	9-30	XP300045	9-22	ZMJ04003	3-2
4710150300	13-24	RE000040	11-36	XP300055	9-26	ZMJ04004	11-22
4710151500	13-25	RE000050	25-25	XP300100	11-38	ZMJ04005	13-22
4710161600	19-16	RE000070	25-31	XP300200	3-26	ZMJ04005	3-4
4710181300	21-8	RE000080	9-2	YD040014A	3-32	ZMJ04005	11-25
4710183200	21-9	RE000080	9-15	ZMB04011	25-23	ZMJ04005	13-17
4710183200	21-9	RE000080	17-7	ZMB04013	3-29	ZMJ04005	25-30
4710183200	27-16	RE000080	19-20	ZMB04016	3-22	ZMJ04008	5-11
4710340800	27-17	RE000100	13-6	ZMB05004	3-17	ZMJ04008	9-25
4710340900	15-5	TC09008200	7-1	ZMB05004	3-21	ZMJ04008	23-9
4710341400	27-18	TC09508200	9-20	ZMB06020	5-13	ZMJ04020	3-10
4710341600	15-1	TC16008200	11-9	ZMB08005	11-5	ZMJ05002	11-27
4710341900	15-16	TLA020	27-19	ZMB08005	11-37	ZMJ05002	13-3
4710342000	15-6	TRB06 x 07	27-20	ZMB10002	19-18	ZMJ05002	23-5
4710910900	27-1	TRB08 x 10	27-21	ZMD08003	15-7	ZMJ05003	5-23



M. 2050 零件號碼與頁數對照表(3/3)		NUMERICAL PARTS-LIST (3/3)	
零件號碼	頁數	零件號碼	頁數
Part No.	PAGE	Part No.	PAGE
ZMJ05003	7-21	ZSA15037	17-15
ZMJ05003	13-31	ZSA15037	17-19
ZMJ05003	21-24	ZSA16010	9-8
ZMJ05004	13-2	ZSA16020	11-8
ZMJ05004	19-3	ZSA16029	17-17
ZMJ05008	25-27	ZSA16029	17-21
ZMJ05017	7-8	ZSA16029	21-22
ZMJ06001	3-31	ZSA16029	21-27
ZMJ06002	19-10	ZSB09047	3-39
ZMJ06002	29-2	ZSB09047	27-11
ZMJ06003	27-15	ZSB11018	3-13
ZMJ06004	17-23	ZSB11035	17-5
ZMJ06006	13-14	ZSB11041	17-2
ZMJ06007	15-10	ZSB12045	3-12
ZMJ06008	29-5	ZSB16011	15-12
ZMJ06009	5-19	ZSD15007	15-20
ZMJ06009	13-11	ZSD20007	15-2
ZMJ06024	29-4	ZSD20007	15-15
ZMJ08003	5-22	ZSD20009	9-10
ZMJ08006	11-1	ZSD20009	11-7
ZMJ08011	5-14	ZSD20011	9-12
ZMK06025	9-3	ZSG06004	21-4
ZMK08016	9-13	ZSG12047	21-3
ZMK08017	11-13	ZSG16013	15-4
ZML04036	13-23	ZSG16024	17-3
ZML06001	9-6	ZSK20007	17-10
ZML06001	29-7	ZSK20009	9-31
ZML08004	7-18	ZSK20009	17-12
ZML08004	11-12	ZSK20009	19-19
ZML08004	25-20	ZSL06001	27-8
ZMFR06005	19-4	ZSL12003	27-28
ZMFR06007	29-9	ZSL16004	17-9
ZMT05001	27-25		
ZSA09005	27-14		
ZSA15010	21-19		
ZSA15010	21-29		
ZSA15028	17-25		

**CONVERSE®**

**Model**

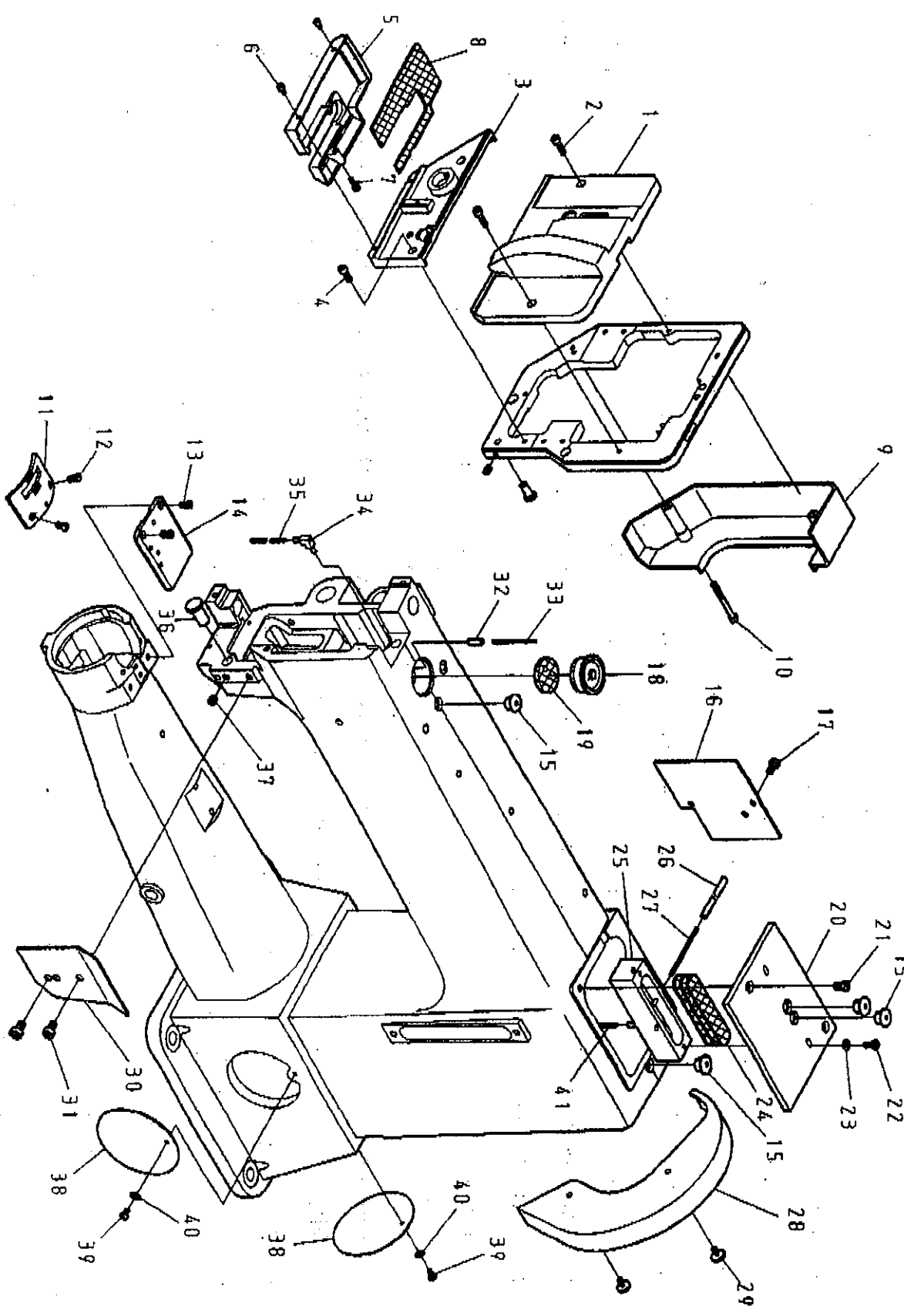
**2050**

**INSTRUCTION MANUAL**

MODEL : 2050

目次	CONTENT	PAGE
A.	本體關係-----FRAME & MISCELLANEOUS COVER COMPONENTS	2-3
B.	上軸關係-----MAIN SHAFT COMPONENTS	4-5
C.	針棒·天秤關係-----NEEDLE BAR & THREAD TAKE-UP LEVER COMPONENTS	6-7
D.	針棒搖擺關係-----NEEDLE BAR ROCKING MOTION MECHANISM COMPONENTS	8-9
E.	上部送料關係-----UPPER FEED MECHANISM COMPONENTS	10-11
F.	押腳·脚弓關係-----PRESSURE BAR & KNEE LIFTER COMPONENTS	12-15
G.	下部送料關係-----LOWER FEED MECHANISM COMPONENTS	16-17
H.	縫目調整關係-----FEED ADJUSTMENT MECHANISM COMPONENTS	18-19
I.	下軸關係-----HOOK DRIVE SHAFT COMPONENTS	20-23
J.	縫線壓力調節關係-----UPPER THREAD TENSION REGULATOR MECHANISM COMPONENTS	24-25
K.	附件-----ACCESSORIES	26-27
L.	皮帶蓋關係-----BELT COVER COMPONENTS	28-29
M.	零件號碼與頁數對照表-----NUMERICAL PARTS-LIST	30-32

A. 2050 本機圖樣 FRAME & MISCELLANEOUS COVER COMPONENTS



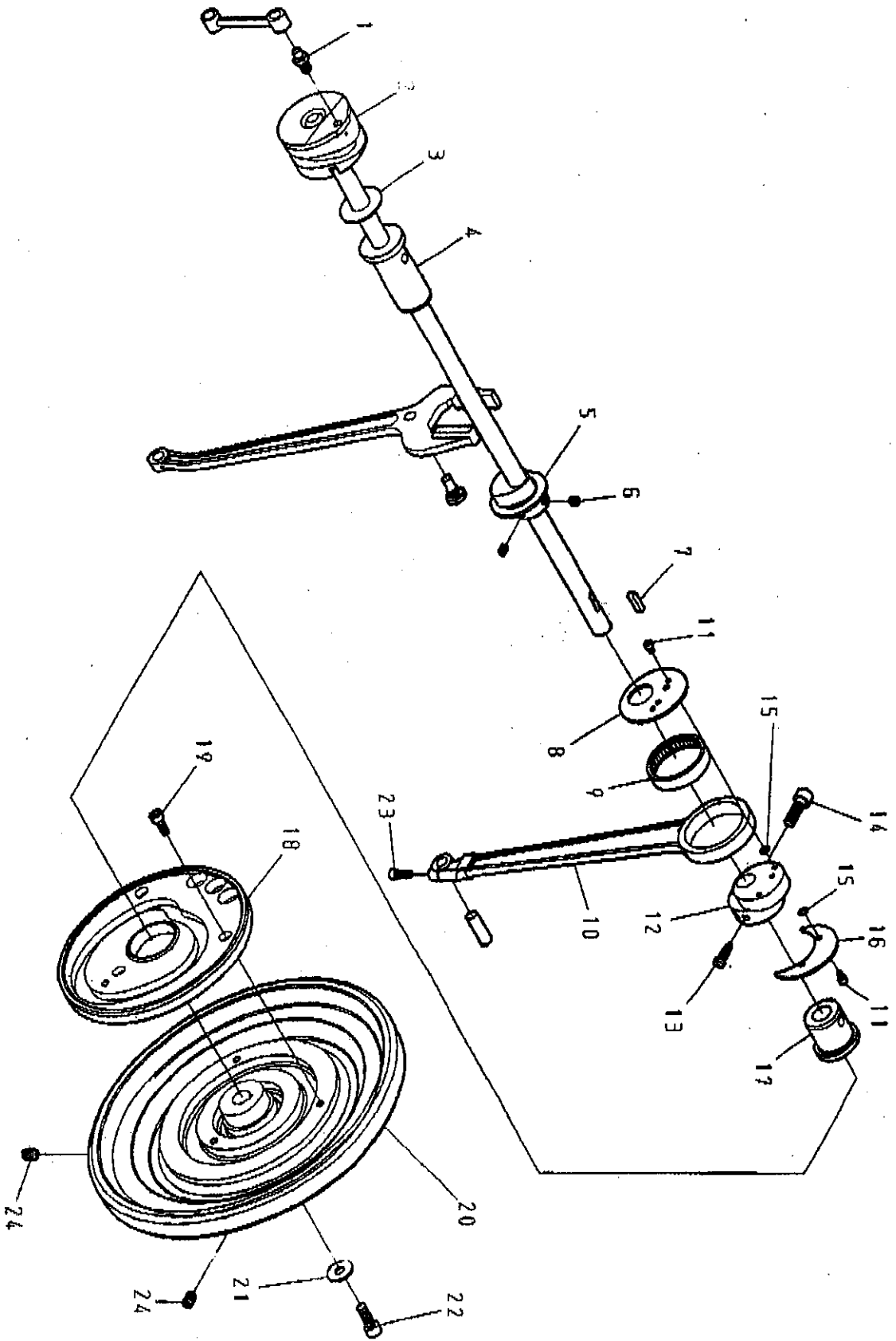
A. 2050 本體關係 FRAME & MISCELLANEOUS COVER COMPONENTS

REF. No NOTE 零件號碼 零件名稱 Name of Part

Part No. 件數 備註 Q'TY Remarks

1	2040111000	面板	Face Plate	1	
2	ZMJ04003	螺絲	Screw M4X0.7*15	2	
3	2040110900	面板(下)	Face Plate	1	
4	ZMJ04005	螺絲	Screw M4X0.7*12	2	
5	2040351900	保護塵蓋	Dust Stopper Plate	1	
6	ZMJ03010	螺絲	Screw M3X0.5*6	2	
7	ZMJ03001	螺絲	Screw M3X0.5*10	1	
8	XB400063	油棉	Felt	1	
9	204011100C	保護蓋	Cover	1	
10	ZMJ04020	螺絲	Screw M4X0.7*40	2	
11	4410111300	針板	Throat Plate	1	
12	ZSB12045	螺絲	Screw 3/16-28*9	2	
13	ZSB11018	螺絲	Screw 11/64-40*9	2	
14	4710111600	角板	Slide Plate	1	
15	A1077-0A	橡膠塞	Oil Cap	4	
16	2040111200	接蓋	Arm Side Cover	1	
17	ZMB05004	螺絲	Screw M5X0.8*10	2	
18	2040350200	橡膠塞	Oil Cap	1	
19	XB130001	油棉	Felt	1	
20	2040111100	上蓋	Top Cover	1	
21	ZMB05004	螺絲	Screw M5X0.8*10	2	
22	ZMB04016	螺絲	Screw M4X0.7*10	2	
23	WA049003	平墊圈	Washer	2	
24	XB215001	油棉	Felt	3	
25	2040351504	油槽	Oil tank	1	
26	XP300200	油管線	Oil Tube	1	
27	XA200400	油線	Oil Wick	1	
28	2040335800	皮帶蓋	Cover	1	
29	ZMB04013	螺絲	Screw M4X0.7*8	2	
30	2040113100	橫蓋	Arm Side Cover	1	
31	ZMJ06001	螺絲	Screw M6X1.0*8	2	
32	YD040014A	銷	Spring Pins	1	
33	XA200280	油線	Oil Wick	1	
34	2040353604	油管接頭	Oil Pipe Joint	1	
35	XA200150	油線	Oil Wick	1	
36	2040270400	銷	Pin	1	
37	ZMH06008	螺絲	Screw M6X1.0*6	1	
38	4710111100	底座面板(A)	Slide Cover A	2	
39	ZSB09047	螺絲	Screw 9/64-40*7	2	
40	WC049001	墊圈	Washer	2	
41	XA200180	油線	Oil Wick	1	

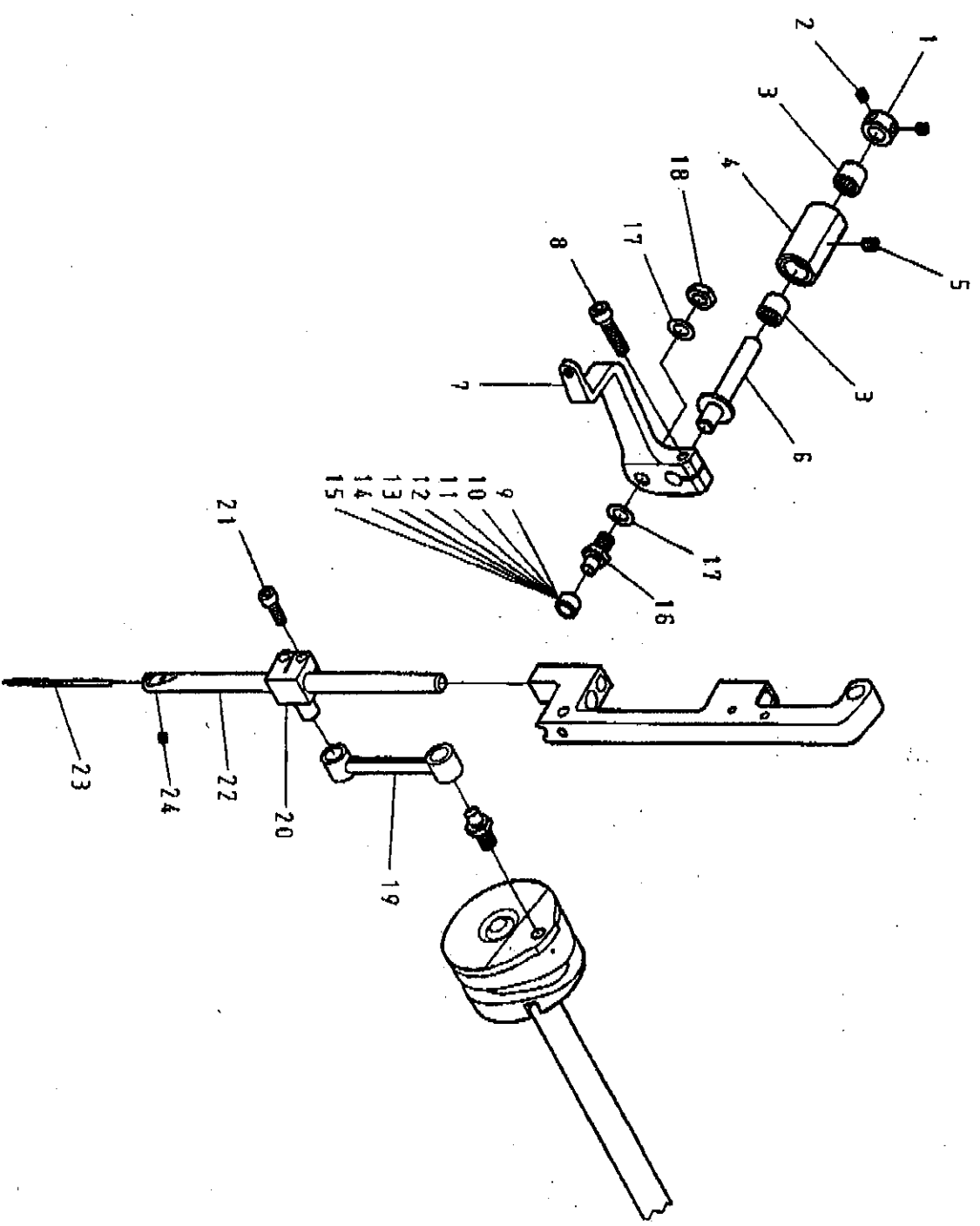
B. 2050 上機部 MAIN SHAFT COMPONENTS



B. 2050 上軸關係 MAIN SHAFT COMPONENTS

REF.No	NOTE	零件號碼	零件名稱	Name of Part	件數	備註
		Part No.			QTY	Remarks
1		2040121300	針桿連接軸	Needle Bar Crank Shaft	1	
2		2040120104	上軸(組)	Main Shaft Asm.	1	
3		WH216002	平墊圈	Washer	1	
4		2040120200	上軸套管(左)	Main Shaft Bushing Front	1	
5		2040122000	偏心輪	Feed Cam	1	
6		ZMH06003	螺絲	Screw M6X1.0*8	2	
7		KG0305520	鍵	Key	1	
8		204018200A	側板	Side Plate	1	
9		BNHK4512	軸承	Needle Bearing	1	
10		2040181800	動桿	Connecting Rod	1	
11		ZMJ04008	螺絲	Screw M4X0.7*6	4	
12		2040181900	偏心輪	Cor-Rod Eccentric Cam	1	
13		ZMB06020	螺絲	Screw M6X1.0*22	1	
14		ZMJ08011	螺絲	Screw M8X0.75*25	1	
15		WA040026	平墊圈	Washer	4	
16		204018200B	側板	Side Plate	1	
17		2040120400	上軸套管(右)	Main Shaft Bushing Rear	1	
18		2040144400	偏心輪	Driving Cam	1	
19		ZMJ06009	螺絲	Screw M6X1.0*18	3	
20		2040122300	皮帶輪	Hand Wheel	1	
21		WA088004	平墊圈	Washer	1	
22		ZMJ08003	螺絲	Screw M8X1.25*22	1	
23		ZMJ06003	螺絲	Screw M6X0.8*15	1	
24		ZMH08002	螺絲	Screw M8X1.25*12	2	

C. 2050 針棒・天線關係 NEEDLE BAR & THREAD TAKE-UP LEVER COMPONENTS



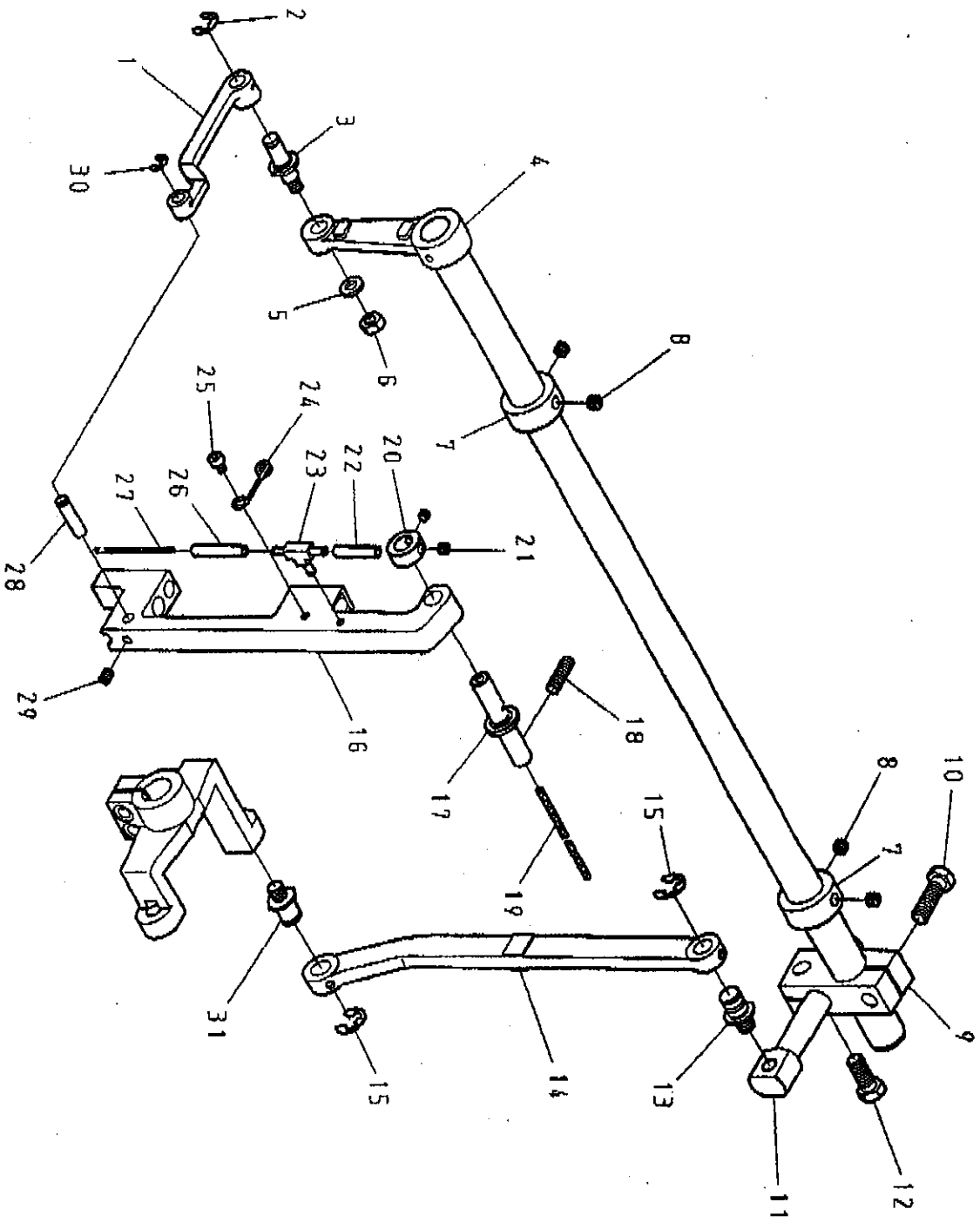


C. 2050 針棒-天秤關係 NEEDLE BAR & THREAD TAKE-UP LEVER COMPONENTS

REF.No	NOTE	零件號碼	零件名稱	Name of Part	件數	備註
		Part No.			QTY	Remarks
1		TC090008200	定環	Thrust Collar	1	
2		ZMH05001	螺絲	Screw M5X0.8*5	2	
3		3N1HK0910B	軸承	Needle Bearing	2	
4		2040192300	套管	Bushing	1	
5		ZMH06003	螺絲	Screw M6X1.0*8	1	
6		2040192100	軸	Shaft	1	
7		2040190104	天秤(結合)	Thread Take Up Lever Com.	1	
8		ZMAJ05017	螺絲	Screw M5X0.8*25	1	
9	#01	2040190210	滾仔	Roller	(1)	
10	#01	2040190220	滾仔	Roller	(1)	
11		2040190230	滾仔	Roller	1	
12	#01	2040190240	滾仔	Roller	(1)	
13	#01	2040190250	滾仔	Roller	(1)	
14	#01	2040190260	滾仔	Roller	(1)	
15	#01	2040190270	滾仔	Roller	(1)	
16		2040190300	滾仔固定軸	Roller Stud	1	
17		WA080022	平墊圈	Washer	2	
18		ZMLD8004	螺帽	Nut M8X1.25	1	
19		2040121000	針棒連接器	Needle Bar Crank Rod	1	
20		2040140900	針棒	Needle Bar Connection	1	
21		ZMJ06003	螺絲	Screw M5X0.8*15	2	
22		2040140100	針棒	Needle Bar	1	
23		IN794#200	針	Needle (794 Nm=200)	1	
24		ZMH04017	螺絲	Screw MAX0.5*4	1	

Note (注記)#01 ----- Selective parts 選擇部品

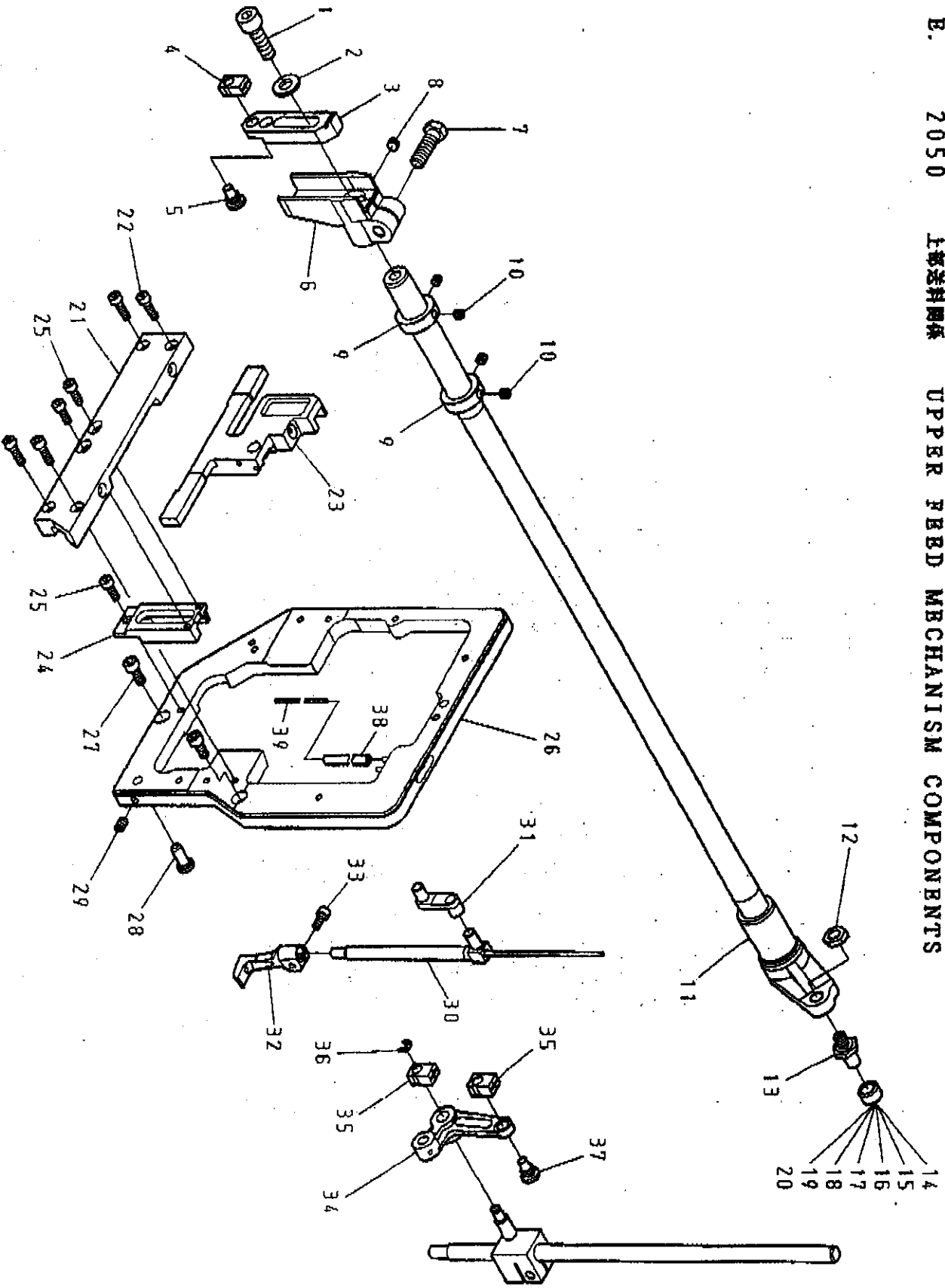
D. 2050 針桿搖擺機構 NEEDLE BAR ROCKING MOTION MECHANISM COMPONENTS



D. 2050 針棒搖擺關係 NEEDLE BAR ROCKING MOTION MECHANISM COMPONENTS

REF.No	NOTE	零件號碼	零件名稱	Name of Part	件數	備註
		Part No.			QTY	Remarks
1		2040143100	搖擺連桿	Rod	1	
2		RE000070	E扣環 7	Retaining Rings- E Type 7	1	
3		ZMK06025	螺絲	Hinge Screw	1	
4		2040142304	中軸連桿(前)(結合)	Driving Shaft Rod, Rear Com.	1	
5		WA006008	平墊圈	Washer	1	
6		ZML06001	螺帽	Nut M6X1.0	1	
7		LG4043-0A	定環	Thrust Collar	2	
8		ZSA16010	螺絲	Screw 1/4-40x4.5	4	
9		4410142400	中軸連桿(後)	Driving Shaft Rod, Rear	1	
10		ZSD20009	螺絲	Screw 5/16-18*25	1	
11		2040141900	中軸連桿(後)	Driving Shaft Rear Arm Pin	1	
12		ZSD20011	螺絲	Screw 5/16-18*19	1	
13		ZMK08016	螺絲	Hinge Screw	1	
14		2050271100	連桿	Lengthwise Feed Rod	1	
15		RE0000080	E扣環 8	Retaining Rings- E Type 8	2	
16		2040270100	針棒座	Frame Driving Base	1	
17		2040270200	針棒座軸	Frame Driving Base Shaft	1	
18		ZMH06016	螺絲	Screw M8X1.0*20	1	
19		XA200300	油線	Oil Wick	1	
20		TC09508200	定環	Thrust Collar	1	
21		ZMH05006	螺絲	Screw M8X0.8*4	2	
22		XP300045	油管線	Oil Tube	1	
23		2040353804	油管接頭	Oil Pipe Joint	1	
24		2040352900	油管支持片	Pipe Holder	1	
25		ZMJ004008	螺絲	Screw M4X0.7*6	1	
26		XP300055	油管線	Oil Tube	1	
27		XA300460	油線	Oil Wick	1	
28		ZB40271360	銷	Pin	1	
29		ZMH05002	螺絲	Screw M5X0.8*6	1	
30		RE000040	E扣環 4	Retaining Rings- E Type 4	1	
31		ZSK20009	螺絲	Hinge Screw	1	

E. 2050 上部送料機構 UPPER FEED MECHANISM COMPONENTS

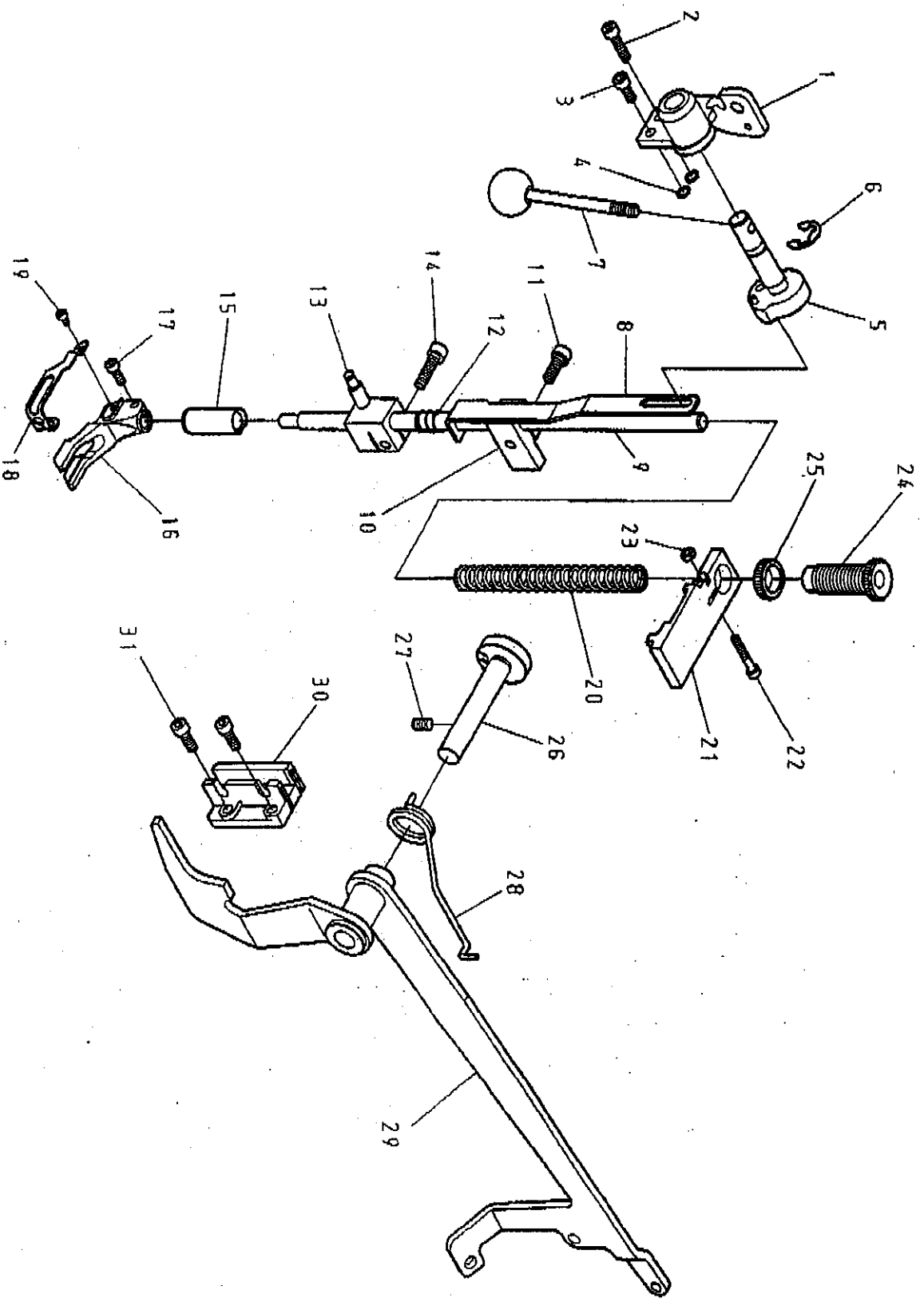


E. 2050 上部送料機構 UPPER FEED MECHANISM COMPONENTS

REF.No	NOTE	零件號碼	零件名稱	Name of Part	件數 QTY	備註 Remarks
1		ZMJ08006	螺絲	Screw MBX1.25*25	1	
2		WA080007	平墊圈	Washer	1	
3		2040142700	滑塊	Slide Block	1	
4		2040148000	滑塊	Slide Block	1	
5		ZMB08005	螺絲	Hinge Screw	1	
6		2040144600	螺絲	Driving Shaft Arm, Front	1	
7		ZSD20009	螺絲	Screw 5/16-18*25	1	
8		ZSA16020	螺絲	Screw 1/4-40*5.5	1	
9		TC16008200	定環	Thrust Collar	2	
10		ZMH05001	螺絲	Screw M5X0.8*5	4	
11		2040144704	螺絲	Drying Shaft Arm, Rear Com.	1	
12		ZML08004	螺絲	Nut M8 x 1.25	1	
13		ZMK08017	滾仔	Roller Stud	1	
14		2040145410	滾仔	Roller	(1)	
15	#01	2040145420	滾仔	Roller	(1)	
16	#01	2040145430	滾仔	Roller	(1)	
17	#01	2040145440	滾仔	Roller	(1)	
18	#01	2040145450	滾仔	Roller	(1)	
19	#01	2040145460	滾仔	Roller	(1)	
20	#01	2040145470	滾仔	Roller	(1)	
21		2040142500	導板	Guide Plate	1	
22		ZMJ04003	螺絲	Screw M4X0.7*15	4	
23		2040142800	導板	Slide Block	1	
24		2040151100	導板	Slide Block	1	
25		ZMJ04005	螺絲	Guide Plate	3	
26		2040110604	螺絲	Screw M4X0.7*12	1	
27		ZMJ05002	螺絲	Face Plate Base Com.	2	
28		2040143700	螺絲	Screw M5X0.8*12	1	
29		ZMH05003	螺絲	Pin	1	
30		2040141704	中間桿(結合)	Screw M5X0.8*8	1	
31		2040143300	彈簧	Vibrating Presser Bar Com.	1	
32		2040151000	內壓脚	Vibrating Presser Bar Link	1	
33		ZMJ04002	螺絲	Walking Foot	1	
34		2040143600	螺絲	Screw M4X0.7*10	1	
35		2040148000	螺絲	Lifting Ball Crank	1	
36		RE000040	螺絲	Slide Block	2	
37		ZMB08005	螺絲	Retaining Rings- E Type 4	1	
38		XP300100	螺絲	Hinge Screw	1	
39		XA200360	油線	Oil Tube	1	
			油線	Oil Wick	1	

Note (注記) #01 ----- Selective parts 選裝部品

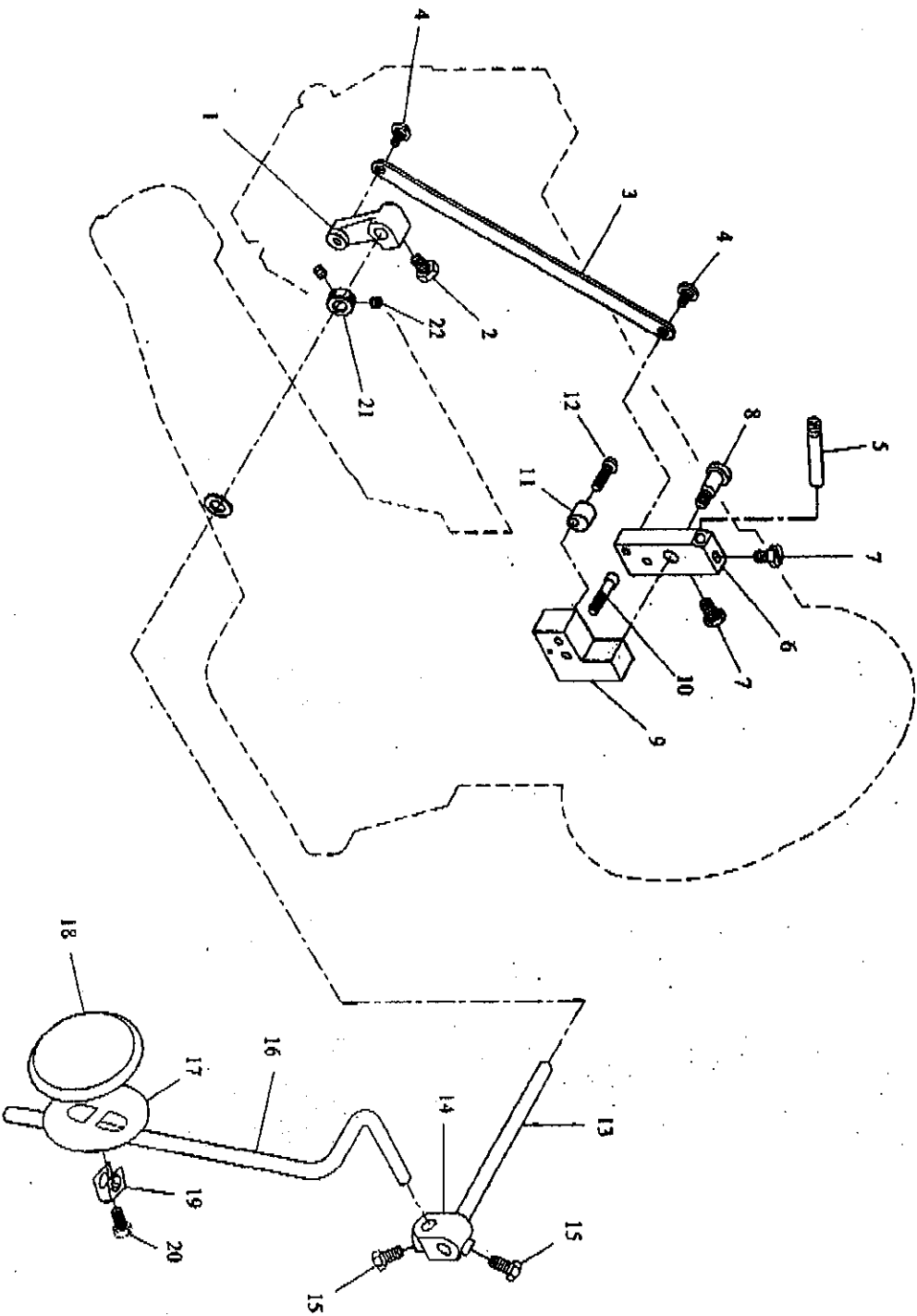
F. 2050 押脚-脚弓两棒 (1/2) PRESSURE BAR & KNEE LIFTER COMPONENTS (1/2)



F. 2050 押脚・脚弓関係(1/2) PRESSURE BAR & KNEE LIFTER COMPONENTS (1/2)

REF.No	NOTE	零件號碼	零件名稱	Name of Part	件數	備註
		Part No.			QTY	Remarks
1		2040157104	支持台(結合)	Bracket Cam	1	
2		ZMJ05004	螺絲	Screw M5X0.8*20	1	
3		ZMJ05002	螺絲	Screw M5X0.8*12	1	
4		WA059006	平墊圈	Washer	2	
5		2040150704	押棒屬心軸(結合)	Hand Lifter Cam Com.	1	
6		RE000100	E扣環 10	Retaining Rings- E Type 10	1	
7		2040150804	押棒堤桿(結合)	Hand Lifter Lever Com.	1	
8		2040340300	壓棒固定座	Hand Lifter Link	1	
9		2040150100	押棒	Presser Bar	1	
10		2040150500	押棒堤昇器	Presser Bar Lifter	1	
11		ZMJ06009	螺絲	Screw M6X1.0*18	1	
12		2040340200	壓縮彈簧	Spring	1	
13		2040143500	舉升曲臂連桿土台	Lifting Bell Crank Base	1	
14		ZMJ06006	螺絲	Screw M6X1.0*23	1	
15		2040150200	外壓腳	Bushing	1	
16		2040143800	螺絲	Presser Foot	1	
17		ZMJ04005	保護板	Guard	1	
18		2040152500	螺絲	Screw M4X0.7*12	1	
19		ZMJ03010	螺絲	Screw M3X0.5*6	1	
20		2040150400	壓縮彈簧	Presser Spring	1	
21		2040158900	上蓋	Top Cover	1	
22		ZMJ04004	螺絲	Screw M4X0.7*25	1	
23		ZML04006	螺帽	Nut M4X0.7	1	
24		4710150300	螺絲	Screw	1	
25		4710151500	螺帽	Nut	1	
26		2040341700	軸	Shaft	1	
27		ZMH06023	螺絲	Screw M6X1.0*12	1	
28		2040342300	彈簧	Spring	1	
29		2040150604	押脚抬高桿	Foot Lifter Lifting Lever	1	
30		2040151700	導板	Guide Plate	1	
31		ZMJ05003	螺絲	Screw M5X0.8*15	2	

F. 2050 押脚、脚弓关系 (2/2) PRESSURE BAR & KNEE LIFTER COMPONENTS (2/2)



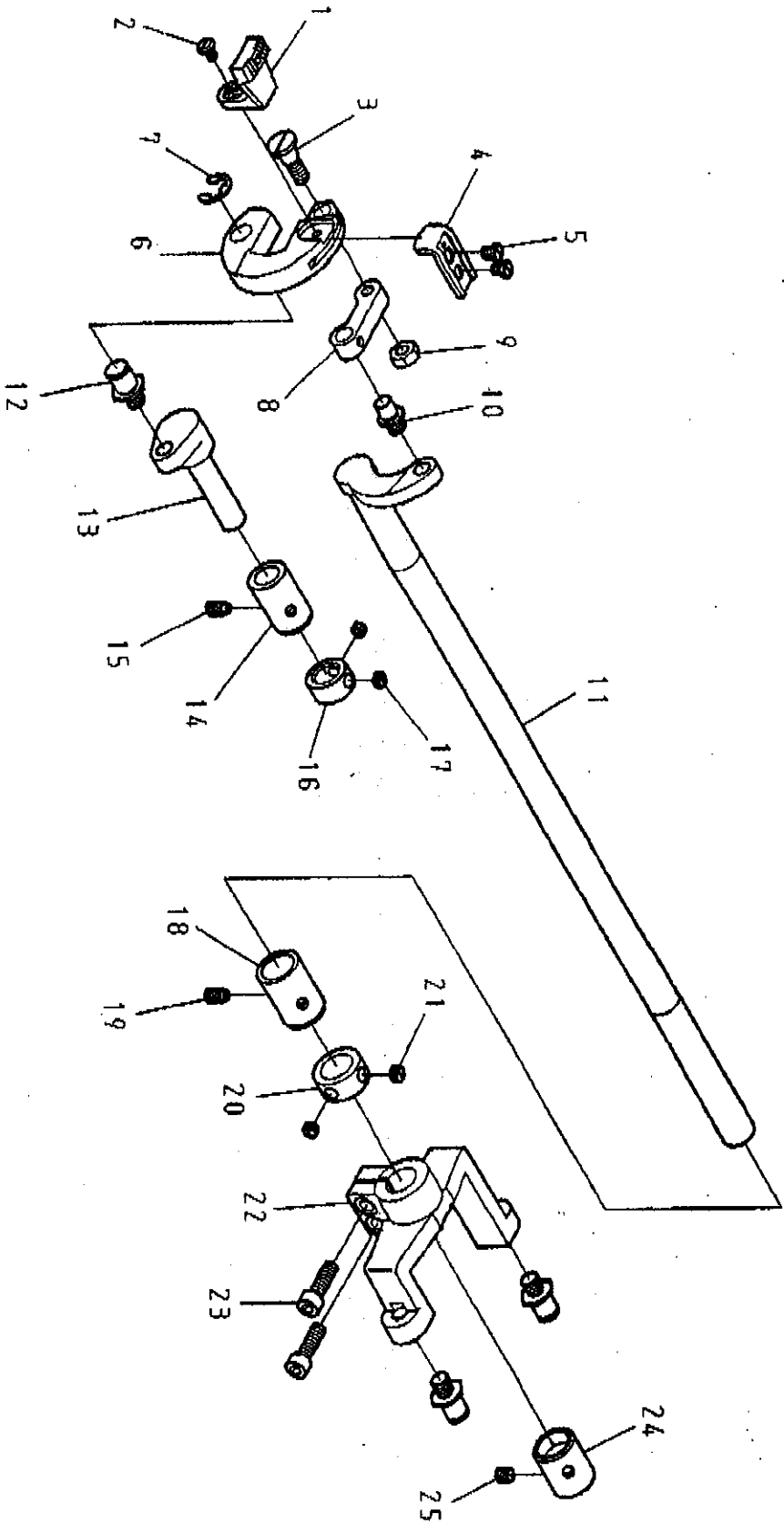


F. 2050 押脚、脚弓關係 (2/2) PRESSURE BAR & KNEE LIFTER COMPONENTS (2/2)

項次 NO	NOTE	零件號碼 Parts No.	零件名稱 Name of Parts	件數 QTY	備註 Remarks
1	# 02	4710341600	連接器	1	KNEE LIFTER CRANK (REAR)
2	# 02	ZSD20007	螺絲	1	SCREW (5/16-18x16)
3	# 02	2050343400	連杆	1	CONNECTING LINK
4	# 02	ZSG16013	螺絲	2	HINGE SCREW
5	# 02	4710340900	連接棒	1	LIFTER LEVER CONNECTING ROD
6	# 02	4710342000	連接器	1	KNEE LIFTER CRANK
7	# 02	ZMD08003	螺絲	2	SCREW (M8x1.25x15.5)
8	# 02	ZMG08005	螺絲	1	HINGE SCREW
9	# 02	2050342100	支持蓋	1	BRACKET
10	# 02	ZMJ06007	螺絲	2	SCREW (M6x1.0x30)
11	# 02	8370341100	固定銷	1	STOPPER
12	# 02	ZSB16011	螺絲	1	SCREW (1/4-24x25)
13	# 02	2050341700	腳押直杆	1	KNEE LIFTER SHAFT
14	# 02	A7034-0A	連接器	1	KNEE LIFTER CRANK
15	# 02	ZSD20007	螺絲	2	SCREW (5/16-24x25)
16	# 02	4710341900	腳押曲杆	1	KNEE LEVER ROD
17	# 02	A7037-1A	腳弓橋支架	1	KNEE PLATE
18	# 02	A7037-0A	腳弓大餅	1	KNEE GUARD
19	# 02	A7036-0A	固定支架	1	RETAINER
20	# 02	ZSD15007	螺絲	1	SCREW (15/64-28x14)
21	# 02	LG4014-0A	定環	1	THRUST COLLAR D=11.11 W=10
22	# 02	ZSH16005	螺絲	2	SCREW (15/64-28x9)

NOTE (註記) # 02 ----- OPTIONAL PARTS 特別注文部品

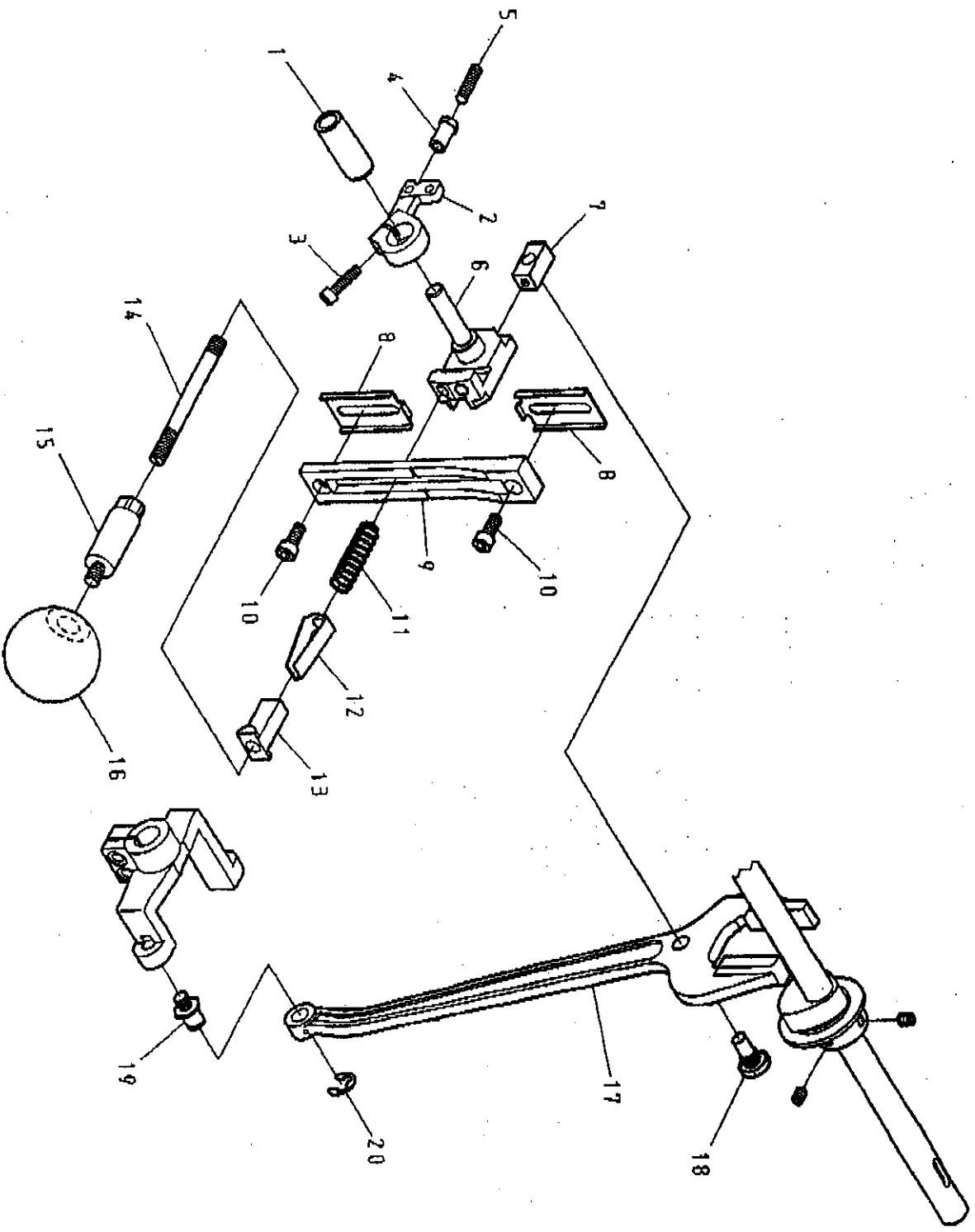
G. 2050 下巻送料機構 LOWER FEED MECHANISM COMPONENTS



G. 2050 下部送料關係 LOWER FEED MECHANISM COMPONENTS

REF.No	NOTE	零件號碼	零件名稱	Names of Part	件數	備註
		Part No.			QTY	Remarks
1		4410161400	送料齒	Feed Dog	1	
2		ZSBI1041	螺絲	Screw 11/64-40*7	1	
3		ZSG16024	螺絲	Hinge Screw	1	
4		4710162100	送料台押板	Feed Bar Presser	1	
5		ZSBI1035	螺絲	Screw 11/64-40*6	2	
6		4710160100	送料台	Feed Bar	1	
7		RE000080	三打環 8	Retaining Rings- E Type 8	1	
8		4710160200	送料台連接棒	Feed Bar Link	1	
9		ZSL16004	螺帽	Nut 1/4-24	1	
10		ZSK20007	螺絲	Hinge Screw	1	
11		4710160404	擺動軸	Feed Rocker Shaft	1	
12		ZSK20009	螺絲	Hinge Screw	1	
13		4710160300	上下送料軸	Driving Shaft	1	
14		4710161700	上下送料軸套管	Driving Shaft Metal	1	
15		ZSA15037	螺絲	Screw 15/64-28*10.5	1	
16		LG4014-0A	定環	Thrust Collar	1	
17		ZSA16029	螺絲	Screw 1/4-40*3.5	2	
18		4710160600	擺動軸套管(前)	Bushing Front	1	
19		ZSA15037	螺絲	Screw 15/64-28*10.5	1	
20		LG4044-0A	定環	Thrust Collar	1	
21		ZSA16029	螺絲	Screw 1/4-40*3.5	2	
22		2050160800	螺絲	Feed Rocker Shaft Crank	1	
23		ZML06004	螺絲	Screw M6X1.0*20	2	
24		4710160700	擺動軸套管(後)	Bushing Rear	1	
25		ZSA15028	螺絲	Screw 15/64-28*7	1	

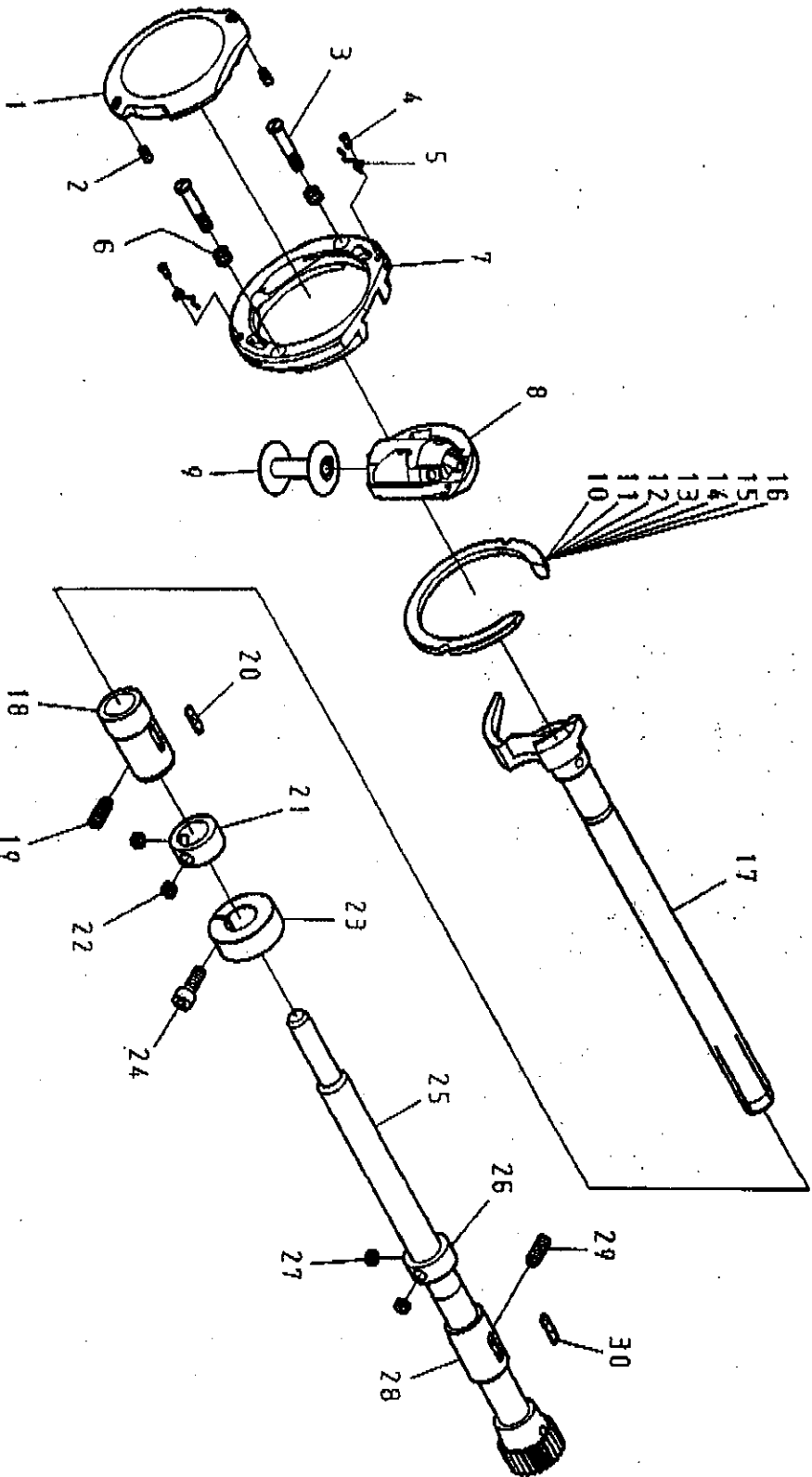
H. 2050 縫目調整機構 FEED ADJUSTMENT MECHANISM COMPONENTS



H. 2050 縫目調節關係 FEED ADJUSTMENT MECHANISM COMPONENTS

REF. No	NOTE	零件號碼	零件名稱	Name of Part	件數	備註
		Part No.			QTY	Remarks
1		2040167900	套管	Bushing	1	
2		2040162200	送料調節桿	Feed Regulator	1	
3		ZMJ05004	螺絲	Screw M5X0.8*20	1	
4		ZMR06035	螺帽	Nut M6X1.0	1	
5		ZMH06024	螺絲	Screw M6X1.0*25	1	
6		2040161104	送料調節桿(結合)	Feed Regulator Com.	1	
7		2040167200	滑塊	Slide Block	1	
8		2040164500	定位板	Stopper Plate	2	
9		2050161300	側度板	Side Cover	1	
10		ZMJ06002	螺絲	Screw M6X1.0*15	2	
11		2040162000	彈簧	Spring	1	
12		2040161900	葉片	Leaf Spring	1	
13		2040162100	滑塊	Slide Block	1	
14		2040161800	縫目調整桿	Lever Shaft	1	
15		2040161200	倒料擋桿	Lever	1	
16		4710161600	調節桿權	Lever Grip	1	
17		2050160900	連接叉桿	Rod	1	
18		ZMB10002	螺絲	Hinge Screw	1	
19		ZSK20009	螺絲	Hinge Screw	1	
20		RE600080	E扣環 8	Retaining Rings- E Type 8	1	

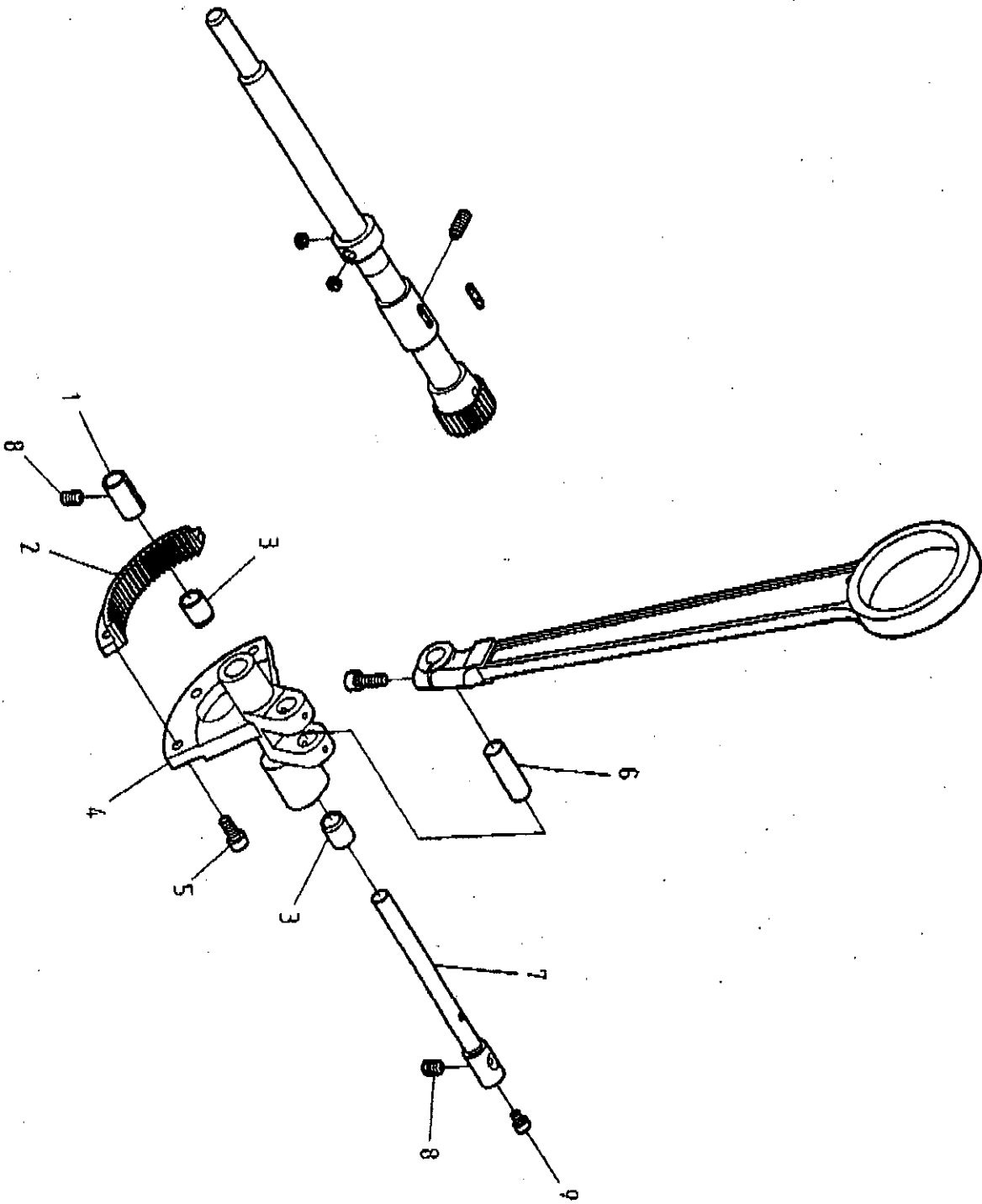
I. 2050 下轴関係 (1/2) HOOK DRIVE SHAFT COMPONENTS (1/2)



REF.No	NOTE	2050 下軸關係 (1/2)	HOOK DRIVE SHAFT COMPONENTS(1/2)	零件號碼	零件名稱	Name of Part	件數	備註
1				Part No.			QTY	Remarks
2				4710183600	螺絲蓋	Hook Cover	1	
3				4710184000	螺絲	Screw	2	
4				ZSSG12047	螺絲	Hinge Screw	2	
5				ZSSG06004	螺絲	Hinge Screw	2	
6				4710183700	梭頭彈簧	Hook Cover Spring	2	
7				4710183800	梭頭彈簧	Hook Counter Spring	2	
8				4710181400	梭頭彈簧座	Shuttle Race Body	1	
9				4710181300	梭頭	Hook Asm.	1	
10				4710183200	梭仔	Bobbin	1	
11	#01			4710184200	固定輪 (標準)	Distance Piece (Standard)	1	
12	#01			4710184210	固定輪	Distance Piece	(1)	
13	#01			4710184220	固定輪	Distance Piece	(1)	
14	#01			4710184230	固定輪	Distance Piece	(1)	
15	#01			4710184240	固定輪	Distance Piece	(1)	
16	#01			4710184250	固定輪	Distance Piece	(1)	
17				4710184260	固定輪	Distance Piece	(1)	
18				2050181604	接頭取壓柄 (綜合)	Shuttle Driver Com.	1	
19				4710180301	下軸套管 (左)	Bushing, Front	1	
20				ZSA15010	油定環	Screw 15/64-28*15	1	
21				4710183800	油定環	Oil Felt	1	
22				LG4044-0A	螺絲	Thrust Collar	1	
23				ZSA18029	螺絲	Screw 1/4-40*3.5	2	
24				2040186600	螺絲	Joint	1	
25				ZMJ05003	螺絲	Screw M5X0.8*15	1	
26				2040180704	齒輪 (綜合)	Lower Shaft Gear Com.	1	
27				LG4044-0A	定環	Thrust Collar	1	
28				ZSA18029	螺絲	Screw 1/4-40*3.5	2	
29				4710180500	下軸套管 (右)	Bushing, Rear	1	
30				ZSA15010	螺絲	Screw 15/64-28*15	1	
				4710183900	油棉	Oil Felt	1	

Note (注記) #01 ----- Selective parts 選擇部品

I. 2050 下軸關係 (2/2) HOOK DRIVE SHAFT COMPONENTS (2/2)

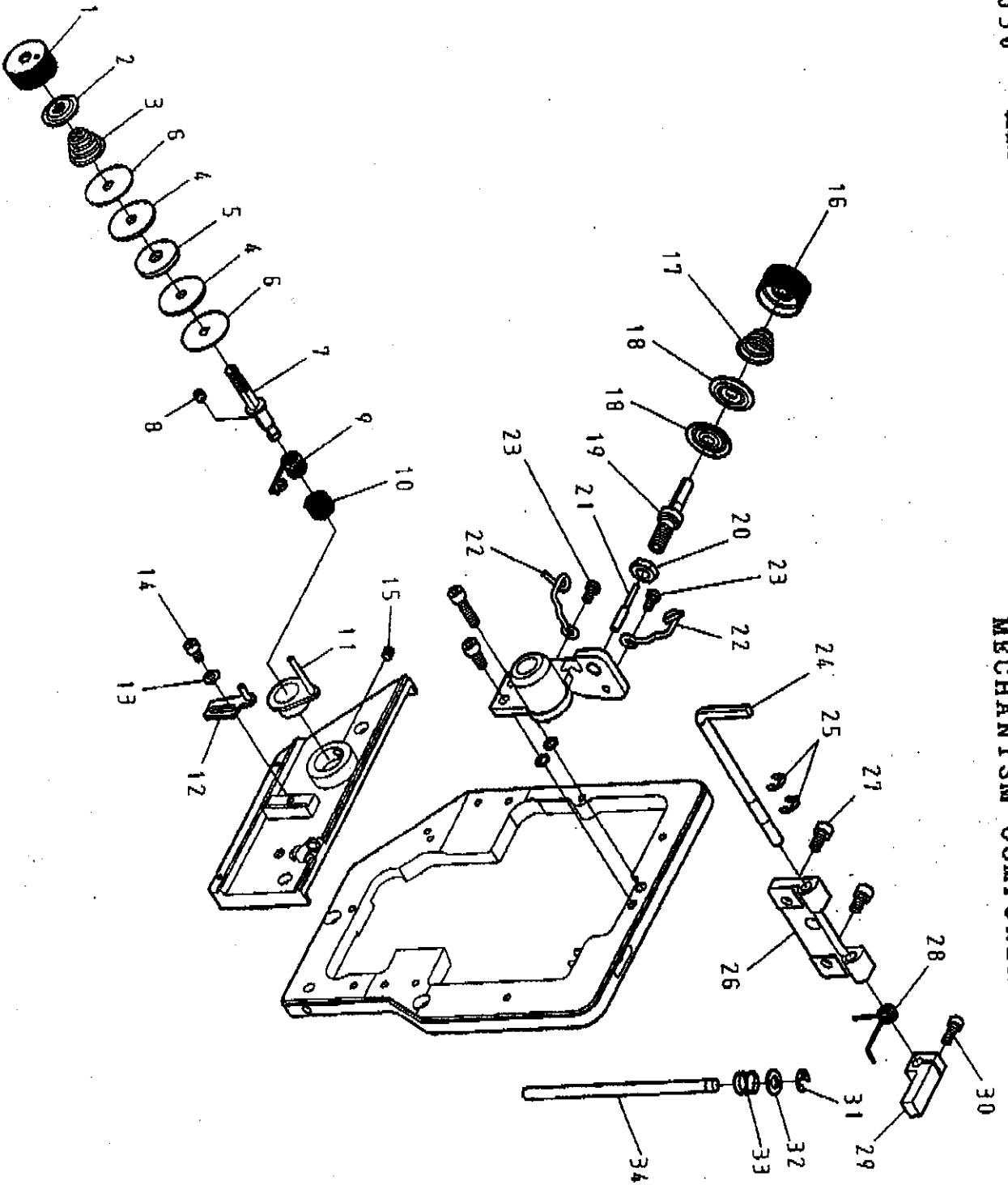




1. 2050 下翻型床 (2/2) HOOK DRIVE SHAFT COMPONENTS(2/2)

REF.No	NOTE	零件號碼 Part No.	零件名稱 Name of Part	件數 QTY	備註 Remarks
1		2040182400	套管 Bushing	1	
2		2040182500	齒輪 Rock Gear	1	
3		204018220A	套管 Bushing	2	
4		2040182200	搖動柄 Oscillating Rock Shaft	1	
5		ZMJ05002	螺絲 Screw M5X0.8*12	3	
6		2040183600	銷 Pin	1	
7		2040182300	軸 Shaft	1	
8		ZMH06010	螺絲 Screw M8X1.0*10	2	
9		ZMJ04008	螺絲 Screw M4X0.7*6	1	

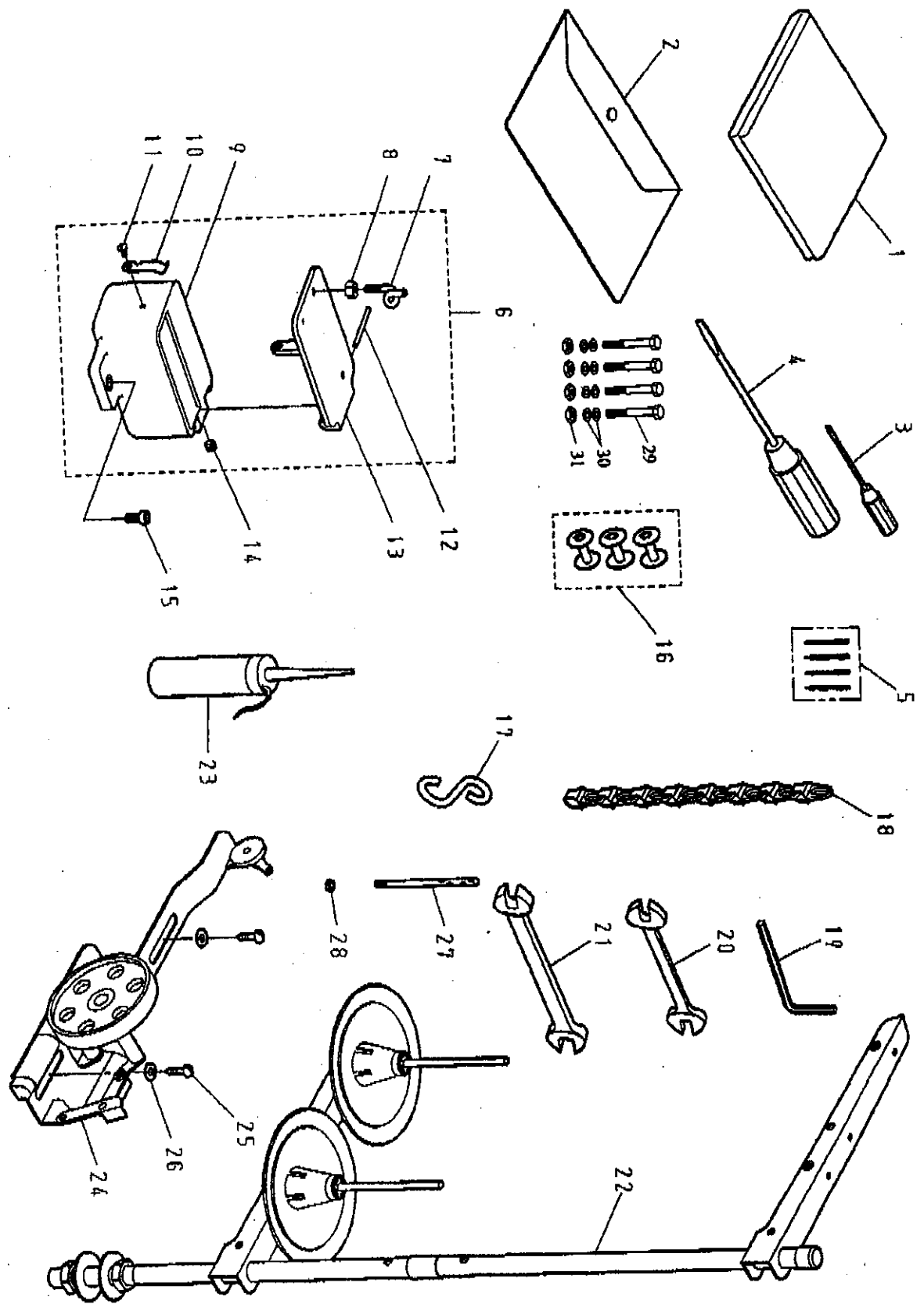
UPPER THREAD TENSION REGULATOR MECHANISM COMPONENTS



J. 2050 總線壓力調節關係 UPPER THREAD TENSION REGULATOR MECHANISM COMPONENTS

REF.No	NOTE	零件號碼	零件名稱	Name of Part	件數	備註
		Part No.			QTY	Remarks
1		2040310300	螺帽	Nut	1	
2		2040315400	線調整壓盤	Tension Regulator Presser Disk	1	
3		2040310400	調整彈簧	Thread Tension Spring	1	
4		2040311300	棉環側盤	Felt Support Plate	2	
5		2040311200	調整線輪	Thread Tension Wheel	1	
6		2040311400	棉環側盤	Felt Support Plate	2	
7		2040311100	調整螺絲桿	Thread Tension Wheel Post	1	
8		ZMH05001	螺絲	Screw M5X0.8*5	1	
9		2040310800	吊線彈簧	Spring A	1	
10		2040310900	吊線彈簧	Spring B	1	
11		2040310504	彈簧座(結合)	Thread Tension Post Bracket Com.	1	
12		2040311004	線轉彈簧調整器(結合)	Spring Support Plate Com.	1	
13		WA049003	平墊圈	Washer	1	
14		ZMJ04001	螺絲	Screw M4X0.7*8	1	
15		ZMH05001	螺絲	Screw M5X0.8*5	1	
16		2040310300	螺帽	Nut	1	
17		2040315800	調整彈簧	Thread Tension Spring	1	
18		A1025-0A	壓線盤	Tension Disk	2	
19		2040310100	調整螺絲桿	Thread Tension Post	1	
20		ZML08004	螺帽	Nut M8X1.25	1	
21		2040312000	螺絲	Tension Releasing Pin	1	
22		2040310600	螺絲	Thread Tension Guide	2	
23		ZMB04011	螺絲	Screw M4X0.7*8	2	
24		2040317100	螺絲	Tension Releasing Plate	1	
25		RE000050	E打環 5	Retaining Rings- E Type 5	2	
26		2040317000	螺絲	Tension Releasing Base	1	
27		ZMJ05008	螺絲	Screw M5X0.8*10	2	
28		2040312300	彈簧	Spring	1	
29		2040317500	連桿	Link	1	
30		ZMJ04005	螺絲	Screw M4X0.7*12	1	
31		RE000050	E打環 5	Retaining Rings- E Type 5	1	
32		WA060035	平墊圈	Washer	1	
33		2040315900	彈簧	Spring	1	
34		2040317200	連接桿	Tension Releasing Bar	1	

K. 2050 附件圖樣 ACCESSORIES



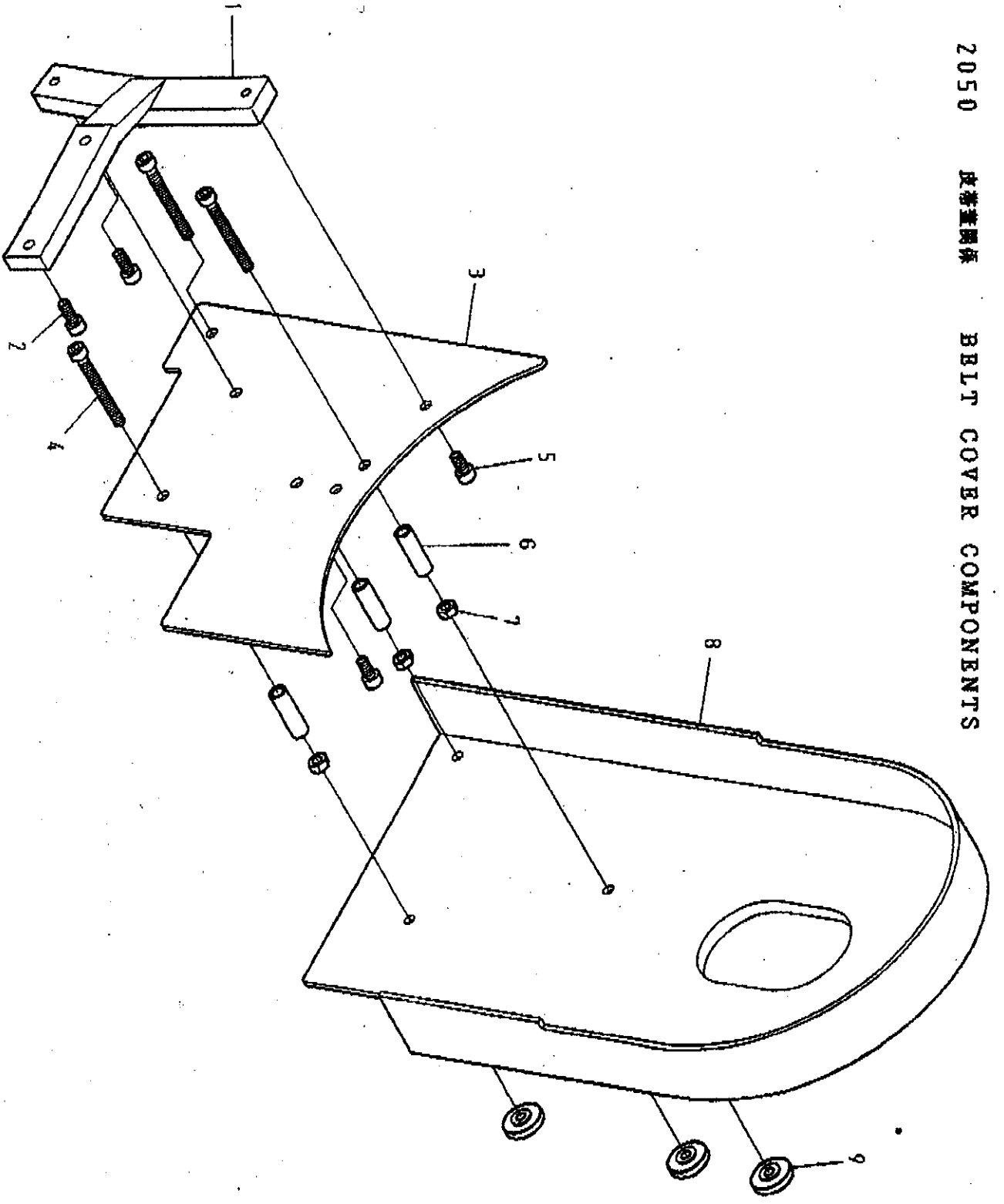
**K. 2050 附件關係 ACCESSORIES**

頂次 NO	NOTE	零件號碼 Parts No.	零件名稱 Name of Parts	件數 QTY	備注 Remarks
1		4710910900	車頭蓋	1	VINYL COVER
2		A7000-0A	工具袋	1	ACCESSORY BOX
3		A7010-0A	螺絲起子 (小)	1	SCREW DRIVER (S)
4		A7010-2A	螺絲起子 (大)	1	SCREW DRIVER (L)
5		IN794#230	針	1	NEEDLE (794#200-4)
6	#02	2050911005	油壺 (組)	4	OIL POT ASM.
7	#02	4710911200	縫案內	1	FRAME THREAD GUIDE
8	#02	ZSL06001	螺帽	1	NUT (3/32-56x3)
9	#02	2050911000	油壺	1	OIL CAN
10	#02	4710911300	彈簧板	1	COVER STOPPER
11	#02	ZSB09047	螺絲	1	SCREW (9/64-40x7)
12	#02	4710911400	銷	1	PIN
13	#02	4709911100	油壺蓋	1	OIL POT COVER
14	#02	ZSA09005	螺絲	1	SCREW (9/64-40x3.5)
15	#02	ZML06003	螺絲	1	SCREW (M6x1.0x14)
16		4710183200	梭仔	1	BOBBIN
17		4710340800	S型綳	3	S-PLUG
18		4710341400	綳	2	CHAIN
19		TLA020	六角型螺絲起子	1	HEXAGONAL WRENCH KEY 2mm
20		TRB06x07	開口扳手	1	WRENCH (6x7)
21		TRB08x10	開口扳手	1	WRENCH (8x10)
22		J7050-0A	綳架	1	THREAD STAND
23		A7012-1A	油壺 (中)	1	OILER (M)
24		2040320106	卷綳器組	1	BOBBIN WINDER
25		ZMT05001	木螺絲	1	WOOD SCREW (4.5x-18)
26		WA059003	平墊圈	2	WASHER
27		4710113400	綳柱	2	NEEDLE THREAD GUIDE PIN
28		ZSL12003	螺帽	1	NUT (3/16-32x3)
29		ZMD10005	螺絲	1	SCREW (M10x1.5x-31)
30		WA110003	平墊圈	4	WASHER
31		ZML10004	螺帽	8	NUT (M10x1.5x8.4)

NOTE (FIELD) # 02

OPTIONAL PARTS 特別注文部品

L. 2050 皮革圍條 BELT COVER COMPONENTS



L- 2050 皮帶蓋關係 BELT COVER COMPONENTS

REF.No	NOTE	零件號碼	零件名稱	Name of Part	件數	備註
		Part No.			QTY	Remarks
1		2050336000	皮帶蓋土台	Belt Cover Bass	1	
2		ZMJ06002	螺絲	Screw M6X1.0*15	2	
3		2050335800	皮帶蓋支持板	Belt Cover Mounting Plate	1	
4		ZMJ06024	螺絲	Screw M6X1.0*55	3	
5		ZMJ06008	螺絲	Screw M6X1.0*12	2	
6		2050335300	皮帶蓋固定管	Belt Cover Stud	3	
7		ZML06001	螺帽	Nut M6X1.0	3	
8		2050335100	皮帶蓋 A	Belt Cover A	1	
9		ZMFR06007	螺帽	Nut M6 x 1.0	3	

M. 2050 零件號碼與頁數對照表 (1/3)		NUMERICAL PARTS-LIST (1/3)	
零件號碼	頁數	零件號碼	頁數
2040317200	25-34	204011100C	3-9
2050160800	17-22	2040150100	13-9
2050911000	27-9	2040150200	13-15
2050911005	27-6	2040150400	13-20
4410161400	17-1	2040150500	13-10
4710111100	3-38	2040150604	13-29
4710160100	17-6	2040150704	13-5
4710160200	17-8	2040150804	13-7
4710160300	17-13	2040151000	11-32
4710160404	17-11	2040151100	11-24
4710160600	17-18	2040151700	13-30
4710160700	17-24	2040152500	13-18
4710161700	17-14	2040157104	13-1
4710162100	17-4	2040159900	13-21
4710180301	21-18	2040161104	19-6
4710180500	21-28	2040161200	19-15
4710181400	21-7	2040161800	19-14
4710183600	21-1	2040161900	19-12
4710183700	21-5	2040162000	19-11
4710183800	21-6	2040162100	19-13
4710183900	21-20	2040162200	19-2
4710184000	21-30	2040164500	19-8
4710184200	21-10	2040167200	19-7
4710184210	21-11	2040167900	19-1
4710184220	21-12	2040180704	21-25
4710184230	21-13	2040181800	5-10
4710184240	21-14	2040181900	5-12
4710184250	21-15	204018200A	5-8
4710184260	21-16	204018200B	5-16
4710811100	27-13	2040182200	23-4
4710811200	27-7	204018220A	23-3
4710811300	27-10	2040182300	23-7
4710811400	27-12	2040182400	23-1
2040110604	11-26	2040182500	23-2
2040110900	3-3	2040183000	23-5
2040111000	3-1	2040186600	21-23
		2040190104	7-7
		2040190210	7-9
		2040190220	7-10
		2040190230	7-11
		2040190240	7-12
		2040190250	7-13
		2040190260	7-14
		2040190270	7-15
		2040190300	7-16
		2040192100	7-6
		2040192300	7-4
		2040270100	9-16
		2040270200	9-17
		2040271300	3-36
		2040310100	9-28
		2040310300	25-19
		2040310400	25-1
		2040310504	25-16
		2040310600	25-3
		2040310800	25-11
		2040310900	25-22
		2040311004	25-9
		2040311100	25-10
		2040311200	25-12
		2040311300	25-7
		2040311400	25-5
		2040312000	25-4
		2040315400	25-6
		2040315800	25-21
		2040315900	25-28
		2040317000	25-2
		2040317100	25-17
		2040317500	25-33
		2040320105	25-26
		2040340200	25-24
			27-29
			27-24
			3-28



## M. 2050 零件號碼與頁數對照表(2/3) NUMERICAL PARTS-LIST (2/3)

零件號碼 Part No.	頁數 PAGE	零件號碼 Part No.	頁數 PAGE	零件號碼 Part No.	頁數 PAGE	零件號碼 Part No.	頁數 PAGE
2040340300	13-8	8370341100	15-11	WA040026	5-15	ZMG08005	15-8
2040341700	13-26	A1025-0A	25-18	WAD049003	3-23	ZMH04017	7-24
2040342300	13-28	A1077-0A	3-15	WA049003	25-13	ZMH05001	7-2
2040350200	3-18	A7000-0A	27-2	WA059003	27-26	ZMH05001	11-10
2040351504	3-25	A7010-0A	27-3	WA059006	13-4	ZMH05001	25-8
2040351900	3-5	A7010-2A	27-4	WA060035	25-32	ZMH05001	25-15
2040352900	3-24	A7012-1A	27-23	WA06008	9-5	ZMH05002	9-29
20403533804	3-34	A7034-0A	15-14	WA080007	11-2	ZMH05003	11-29
2040353804	9-23	A7036-0A	15-19	WA080022	7-17	ZMH05006	9-21
2050160900	19-17	A7037-0A	15-18	WA089004	5-21	ZMH06003	5-6
2050161300	19-9	A7037-1A	15-17	WC049001	3-40	ZMH06003	7-5
2050181804	21-17	BNHK0910B	7-3	WH216002	5-3	ZMH06008	3-37
2050271100	9-14	BNHK4512	5-9	XA200150	3-35	ZMH06010	23-8
2050335100	29-8	IN794#200	7-23	XA200180	3-41	ZMH06016	9-18
2050335300	29-6	IN794#200	27-5	XA200280	3-33	ZMH06023	13-27
2050335600	29-3	J7050-0A	27-22	XA200300	9-19	ZMH06024	19-5
2050336000	29-1	KC0305520	5-7	XA200360	11-39	ZMH08002	5-24
2050341700	15-13	LG4014-0A	17-16	XA200400	3-27	ZMJ03001	3-7
2050342100	15-9	LG4043-0A	9-7	XA300460	9-27	ZMJ03010	3-6
2050343400	15-3	LG4044-0A	17-20	XB130001	3-19	ZMJ03010	13-19
4410111300	3-11	LG4044-0A	21-21	XB215001	3-24	ZMJ04001	25-14
4410142400	9-9	LG4044-0A	21-26	XB400063	3-8	ZMJ04002	11-33
4710111600	3-14	RE000040	9-30	XP300045	9-22	ZMJ04003	3-2
4710113400	27-27	RE000040	11-36	XP300055	9-26	ZMJ04003	11-22
4710150300	13-24	RE000050	25-25	XP300100	11-38	ZMJ04004	13-22
4710151500	13-25	RE000050	25-31	XP300200	3-26	ZMJ04005	3-4
4710161600	19-16	RE000070	9-2	YD040014A	3-32	ZMJ04005	11-25
4710181300	21-8	RE000080	9-15	ZME04011	25-23	ZMJ04005	13-17
4710183200	21-9	RE000080	17-7	ZME04013	3-29	ZMJ04005	25-30
4710183200	27-16	RE000080	19-20	ZME04016	3-22	ZMJ04008	5-11
47103240800	27-17	RE000100	13-6	ZME05004	3-17	ZMJ04008	9-25
47103240900	15-5	TC09008200	7-1	ZMB05004	3-21	ZMJ04008	23-9
47103241400	27-18	TC09508200	9-20	ZMB06020	5-13	ZMJ04020	3-10
47103241600	15-1	TC16008200	11-9	ZMB08005	11-5	ZMJ05002	11-27
47103241900	15-16	TLA020	27-19	ZMB08005	11-37	ZMJ05002	13-3
47103242000	15-6	TRB08 x 07	27-20	ZMB10002	19-18	ZMJ05002	23-5
4710910900	27-1	TRB08 x 10	27-21	ZMD08003	15-7	ZMJ05003	5-23

M. 2050 零件號碼與頁數對照表(3/3)		NUMERICAL PARTS-LIST (3/3)	
零件號碼 Part No.	頁數 PAGE	零件號碼 Part No.	頁數 PAGE
ZMJ05003	7-21	ZSA15037	17-15
ZMJ05003	13-31	ZSA15037	17-19
ZMJ05003	21-24	ZSA16010	9-8
ZMJ05004	13-2	ZSA16020	11-8
ZMJ05004	19-3	ZSA16029	17-17
ZMJ05008	25-27	ZSA16029	17-21
ZMJ05017	7-8	ZSA16029	21-22
ZMJ06001	3-31	ZSA16029	21-27
ZMJ06002	19-10	ZSB09047	3-39
ZMJ06002	29-2	ZSB09047	27-11
ZMJ06003	27-15	ZSB11018	3-13
ZMJ06004	17-23	ZSB11035	17-5
ZMJ06006	13-14	ZSB11041	17-2
ZMJ06007	15-10	ZSB12045	3-12
ZMJ06008	29-5	ZSB16011	15-12
ZMJ06009	5-19	ZSD15007	15-20
ZMJ06009	13-11	ZSD20007	15-2
ZMJ06024	29-4	ZSD20007	15-15
ZMJ08003	5-22	ZSD20009	9-10
ZMJ08006	11-1	ZSD20009	11-7
ZMJ08011	5-14	ZSD20011	9-12
ZMK06025	9-3	ZSG06004	21-4
ZMK08016	9-13	ZSG12047	21-3
ZMK08017	11-13	ZSG16013	15-4
ZMLD4006	13-23	ZSG16024	17-3
ZMLD6001	9-6	ZSK20007	17-10
ZMLD6001	29-7	ZSK20009	9-31
ZMLD8004	7-18	ZSK20009	17-12
ZMLD8004	11-12	ZSK20009	19-19
ZMLD8004	25-20	ZSL06001	27-8
ZMR06005	19-4	ZSL12003	27-28
ZMR06007	29-9	ZSL16004	17-9
ZMT05001	27-25		
ZSA09005	27-14		
ZSA15010	21-19		
ZSA15010	21-29		
ZSA15028	17-25		